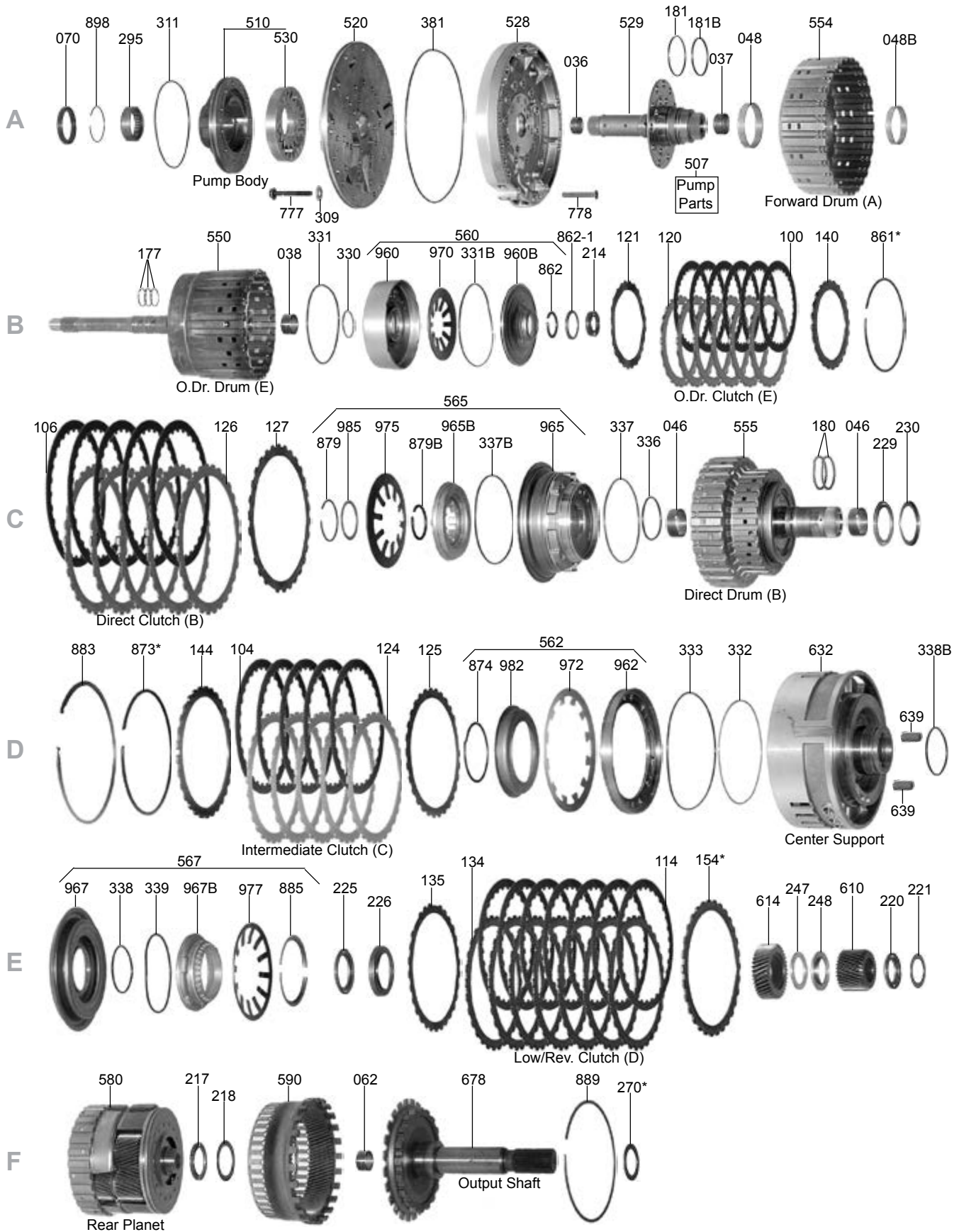
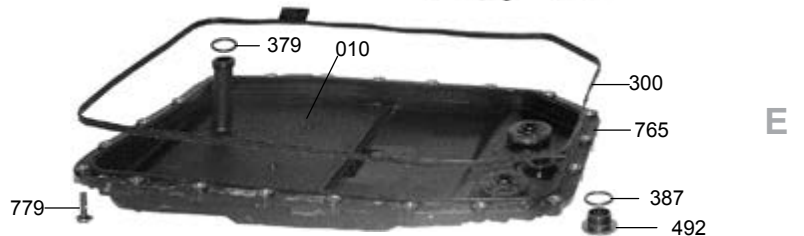
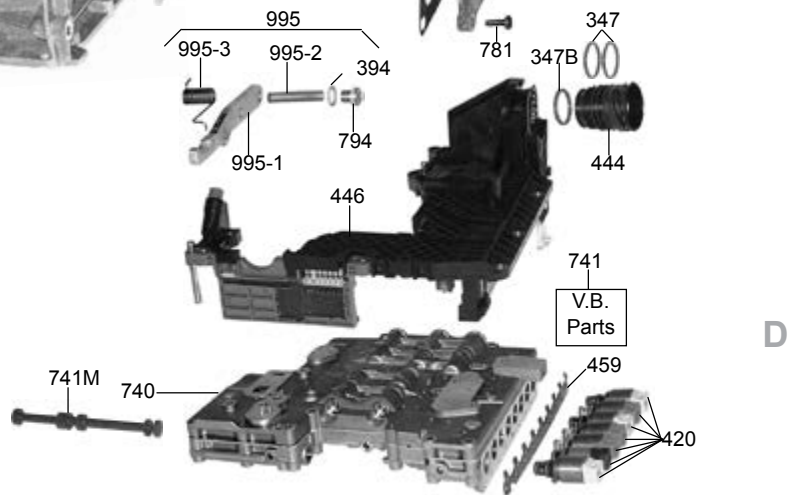
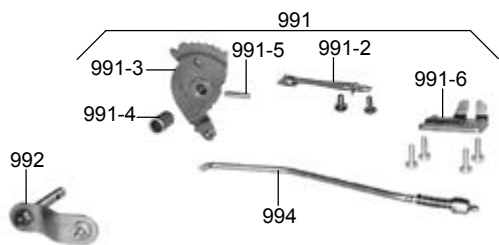
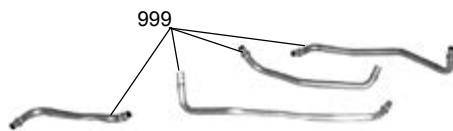
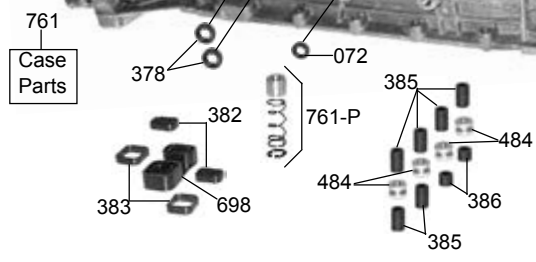
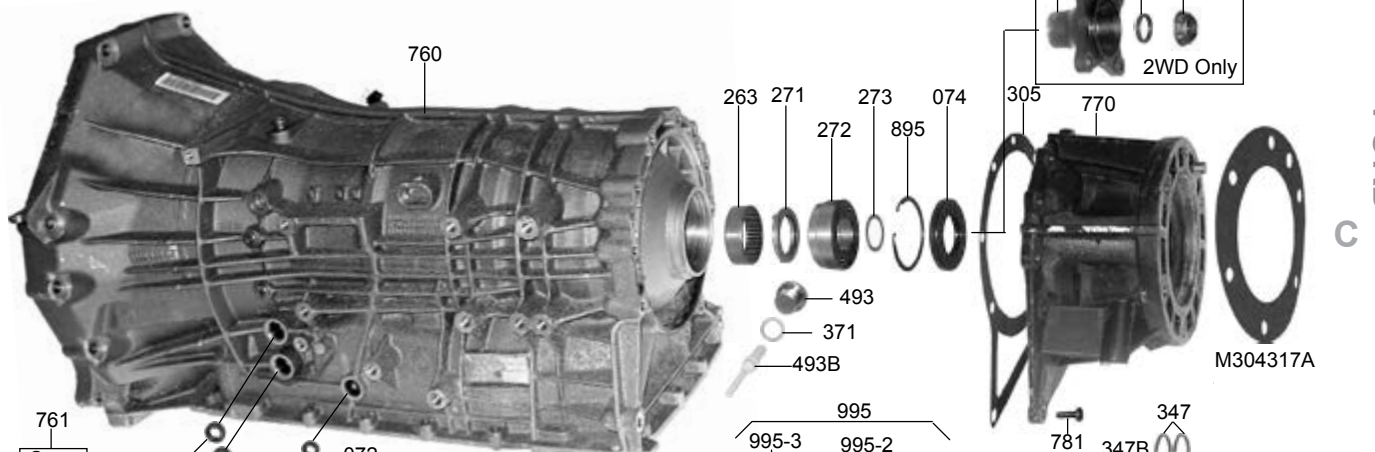
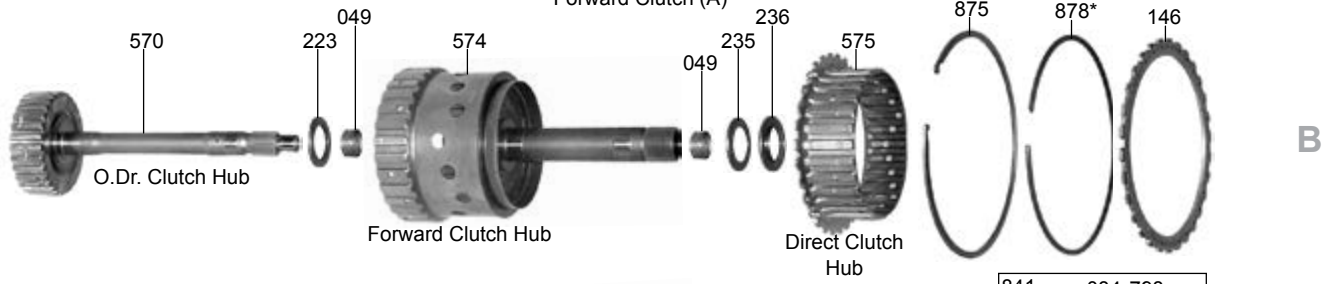
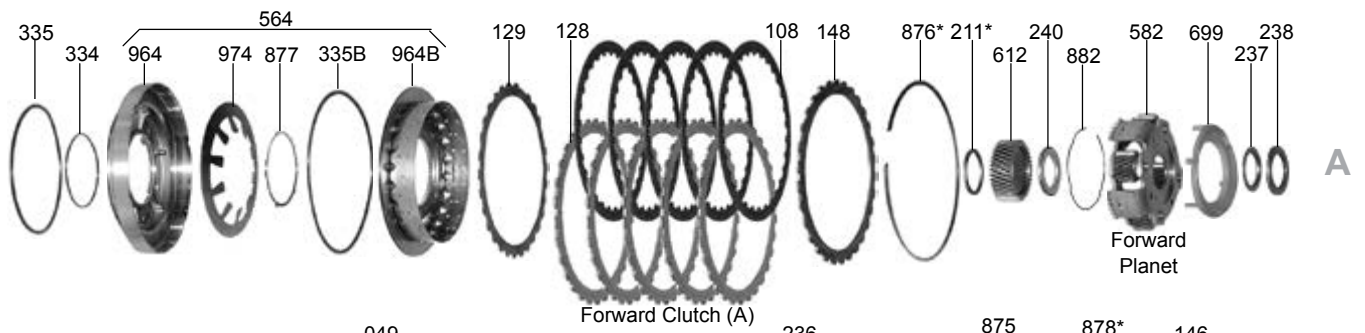


ZF6HP26, 6R60, 6R75, 6R80



ZF6HP26, 6R60, 6R75, 6R80



ZF6HP26, 6R60, 6R75, 6R80

ILL#	Part#		QTY	REF#
OVERHAUL KITS				
NI.....	K116900A.....	Overhaul Kit, 6R60 / 6R75, 2006-Up.....	1.....	N/A
NI.....	K116900B.....	Overhaul Kit, 6R80, 2008-Up.....	1.....	N/A
NI.....	K116900C.....	Overhaul, ZF6HP26/HP26X, BMW, Ford/Lincoln, Jaguar, Rover, Hyundai, 2002-Up.....	1.....	N/A
NI.....	K116900D.....	Overhaul Kit, ZF6HP26A, Audi, VW, 2004-Up.....	1.....	N/A
MASTER L/STEEL KITS				
NI.....	DK11600AS.....	L/Steels Kit, 6R60 / 6R75, 2006-Up.....	1.....	N/A
NI.....	DK11600BS.....	L/Steels Kit, 6R80, 2008-Up.....	1.....	N/A
NI.....	DK11600CS.....	L/Steels Kit, ZF6HP26/HP26X, BMW, Ford/Lincoln, Jaguar, Rover, Hyundai, 2002-Up.....	1.....	N/A
NI.....	DK11600DS.....	L/Steels Kit, ZF6HP26A, Audi, VW, 2004-Up.....	1.....	N/A
MASTER W/STEELS KITS				
NI.....	DK11600A.....	W/Steels Kit, 6R60 / 6R75, 2006-Up.....	1.....	N/A
NI.....	DK11600B.....	W/Steels Kit, 6R80, 2008-Up.....	1.....	N/A
NI.....	DK11600C.....	W/Steels Kit, ZF6HP26/HP26X, BMW, Ford/Lincoln, Jaguar, Rover, Hyundai, 2002-Up.....	1.....	N/A
NI.....	DK11600D.....	W/Steels Kit, ZF6HP26A, Audi, VW, 2004-Up.....	1.....	N/A
FILTERS				
010.....	116710.....	Filter, 6R60 / 6R75, Flat Bottom, 2006.....	1.....	6L2Z-7A098-AA
010.....	116710B.....	Filter, 6R60 / 6R75 / 6R80, Deep Pan, 1.5" Pick-Up Tube, 2007-Up.....	1.....	7L1Z-7A098-A
010.....	116710E.....	Filter, 6R80, Shallow Pan, 2010-Up.....	1.....	BL3Z-7A098-A
010.....	K116710C.....	Filter, ZF6HP26 (Filter Made As Part Of Pan) 2002-Up.....	1.....	5L7A-7A194-AA
010.....	116710.....	Filter, ZF6HP26, 2WD, Flat Bottom, 2007-Up.....	1.....	6L2Z-7A098-AA
010.....	116710D.....	Filter, ZF6HP26A, 4WD, 2004-Up.....	1.....	09E-325-429
BUSHINGS				
030.....	K116901A.....	Bushing Kit, 6R60 2006-Up.....	1.....	TBA
030.....	K116901C.....	Bushing Kit, ZF6HP26, 2005-Up.....	1.....	TBA
036.....	116002A.....	Bushing, Stator Tube (Front) .907" ID (Babbit) 2006-Up.....	1.....	TBA
037.....	116003C.....	Bushing, ZF6HP26 (Ford) Stator Tube (Rear) (1.022" ID) (Bronze) 2005-Up.....	1.....	TBA
037.....	116003A.....	Bushing, 6R60/75 Stator Tube (Rear) 1.100" ID (Babbit) 2006-Up.....	1.....	TBA
037.....	116003B.....	Bushing, 6R60 Stator Tube (Rear) 1.180" ID (Babbit) 2006-Up.....	1.....	TBA
038.....	116010A.....	Bushing, OD Clutch Drum (Rear) (.669" ID) 2006-Up.....	1.....	TBA
046.....	116008C.....	Bushing, ZF6HP26 (Ford)/6R60 Direct Drum (B) (Babbit) (1.330" ID) 2005-Up.....	2.....	TBA
048.....	116007A.....	Bushing, ZF6HP26 (Ford)/6R60 Forward Clutch Drum (Front) (2.350" ID) 2005-Up.....	1.....	TBA
048.....	116009A.....	Bushing, ZF6HP26 (Ford)/6R60 Forward Clutch Drum (Rear) (1.970" ID) 2005-Up.....	1.....	TBA
049.....	116013A.....	Bushing, ZF6HP26 (Ford)/6R60 Forward Clutch Hub (Bronze) (.954" ID) 2005-Up.....	2.....	TBA
049.....	116013B.....	Bushing, ZF6HP26 (Ford)/6R60 Forward Clutch Hub (Bronze) (.994" ID) 2005-Up.....	2.....	TBA
062.....	116010A.....	Bushing, Output Shaft (Front) .669" ID, 2006-Up.....	1.....	6L2Z-7B256-AA
METAL CLAD SEALS				
070.....	116151A.....	Seal, ZF6HP26 (Ford) 6R60/6R80 Front Pump (2.280" OD) 2006-Up.....	1.....	6L2Z-7A248-AA
072.....	82155.....	Seal, ZF6HP26 (Ford) 6R60/6R80 Shift Lever 2006-Up.....	1.....	6L2Z-7B498-AA
074.....	116160A.....	Seal, ZF6HP26 (Ford)/6R60 Rear (4WD) 2.835" OD (1.532" ID) 2006-Up.....	1.....	6L2Z-7052-BA
074.....	116160B.....	Seal, ZF6HP26 (Ford)/6R80 Rear (4WD) 2008-Up.....	1.....	9L3Z-7052-B
074.....	116157A.....	Seal, ZF6HP26 (Ford)/6R60 Rear (2WD) 2006-Up.....	1.....	6L2Z-7052-AA
074.....	116157B.....	Seal, ZF6HP26 (Ford)/6R80 Rear (2WD) 2008-Up.....	1.....	9L3Z-7052-A
084.....	116025A.....	Seal, (Ford) 6R60 Rear Flange (2WD) (Presses Into Yoke, Under The #798 Nut) 2006-Up.....	1.....	6L2Z-7052-CA
FRICTIONS				
100.....	116105A.....	Friction, Overdrive / "E" Clutch, All Except 6R80, .062", 2002-Up.....	6.....	6L2Z-7B164-CA
100.....	116105B.....	Friction, 6R80, Overdrive / "E" Clutch, .079", 2008-Up.....	6.....	9L2Z-7B164-C
104.....	116103A.....	Friction, Intermediate / "C" Clutch, .082", 2002-Up.....	4-5.....	6L2Z-7B164-BA
106.....	116103A.....	Friction, Direct / "B" Clutch, .082", 2002-Up.....	4-5.....	6L2Z-7B164-BA
108.....	116101A.....	Friction, Forward / "A" Clutch, .062", 2002-Up.....	4-5.....	6L2Z-7B164-AA
114.....	116101A.....	Friction, Low / Reverse / "D" Clutch, .062", 2002-Up.....	4-6.....	6L2Z-7B164-AA
119.....	K116AF.....	Friction Module, 6R60/6R75 / ZF6HP26 2006-Up.....	1.....	RCP96-196
119.....	K116BF.....	Friction Module, 6R80, 2008-Up.....	1.....	TBA
STEELS				
120.....	116106A.....	Steel, Overdrive / "E" Clutch, .118" 24T, 2002-Up.....	6.....	6L2Z-7B442-AA
121.....	116106AA.....	Waved Steel, Overdrive / "E" Clutch, .039" 24T, 2002-Up.....	1.....	6L2Z-7E085-AA
124.....	116102A.....	Steel, Intermediate / "C" Clutch, .118" 30T, 2002-Up.....	4-5.....	6L2Z-7B442-CA
125.....	116102AA.....	Waved Steel, Intermediate / "C" Clutch, .035" 30T, 2002-Up.....	1.....	6L2Z-7E085-BA
126.....	116104A.....	Steel, Direct / "B" Clutch, .082" 30T, 2002-Up.....	4-5.....	6L2Z-7B442-BA
127.....	116102AA.....	Waved Steel, Direct / "B" Clutch, .035" 30T, 2002-Up.....	1.....	6L2Z-7E085-BA
128.....	116102A.....	Steel, Forward / "A" Clutch, .118" 30T, 2002-Up.....	4-6.....	6L2Z-7B442-CA

ZF6HP26, 6R60, 6R75, 6R80

ILL#	Part#		QTY	REF#
129.....	116102AA.....	Waved Steel, Forward / "A" Clutch, 035" 30T, 2002-Up	1.....	6L2Z-7E085-BA
134.....	116104A.....	Steel, Low / Reverse / "D" Clutch, 082" 30T, 2002-Up	4-5.....	6L2Z-7B442-BA
135.....	116104AA.....	Waved Steel, Low / Reverse / "D" Clutch, 040" 30T, 2002-Up	1.....	6L2Z-7E085-A
139.....	K116AS.....	Steel Module, 6R60/6R75, 2006-Up.....	1.....	TBA
139.....	K116BS.....	Steel Module, 6R80, 2008-Up	1.....	TBA
139.....	K116CS.....	Steel Module, ZF6HP26, 2002-Up	1.....	TBA
PRESSURE PLATES				
140.....	116715A.....	Pressure Plate, ZF6HP26 (All)/6R60 Overdrive Clutch (E Clutch)(24T)(4.220" ID) 2002-Up	1.....	6L2Z-7B066-D
144.....	116716A.....	Press Plate, ZF6HP26 (All)/6R60 Interm Cl ("C") (.154" 30T, 6-7/16" ID, No Dimples, 2002-Up	1.....	6L2Z-7B066-BA
146.....	116717A.....	Press Plate, ZF6HP26 (All) Dir Cl (B Clu)(.154" Thick) 30T (6 7/16" ID, 30 Dimples) 2002-Up	1.....	5L7Z-7B066-A
146.....	116716A.....	Press Plate, 6R60 Direct Clu Press Plate	1.....	TBA
148.....	116718A.....	Pressure Plate, ZF6HP26 (All) Forward Clutch (A Clutch)(Top) 2002-Up	1.....	TBA
148.....	116102A.....	Pressure Plate, Forward Clutch.....	1.....	TBA
154.....	116719A.....	Pressure Plate, ZF6HP26 (Ford)/6R60 Low/Reverse Clutch (.200") 30 Teeth 2005-Up.....	1.....	6L2Z-7B066-HA
154.....	116719AB.....	Pressure Plate, ZF6HP26 (Ford)/6R60 Low/Reverse Clutch (.208") 30 Teeth 2005-Up.....	1.....	6L2Z-7B066-M
154.....	116719AC.....	Pressure Plate, ZF6HP26 (Ford)/6R60 Low/Reverse Clutch (.212") 30 Teeth 2005-Up.....	1.....	6L2Z-7B066-JA
154.....	116719AD.....	Pressure Plate, ZF6HP26 (Ford)/6R60 Low/Reverse Clutch (.220") 30 Teeth 2005-Up.....	1.....	6L2Z-7B066-N
154.....	116719AE.....	Pressure Plate, ZF6HP26 (Ford)/6R60 Low/Reverse Clutch (.224") 30 Teeth 2005-Up.....	1.....	6L2Z-7B066-KA
154.....	116719AF.....	Pressure Plate, ZF6HP26 (Ford)/6R60 Low/Reverse Clutch (.232") 30 Teeth 2005-Up.....	1.....	6L2Z-7B066-P
154.....	116719AG.....	Pressure Plate, ZF6HP26 (Ford)/6R60 Low/Reverse Clutch (.236") 30 Teeth 2005-Up.....	1.....	6L2Z-7B066-LA
SEALING RINGS				
175.....	K116903C.....	Ring Kit, ZF6HP26 (Ford) (Teflon) 2005-Up.....	1.....	TBA
175.....	K116903A.....	Ring Kit, 6R60 (Teflon & Metal) 2006-Up	1.....	TBA
177.....	116301C.....	Ring, ZF6HP26 (Ford) Input Shaft (Overdrive Drum W/Shaft) .985" OD (Teflon) 2005-Up.....	3.....	5L7Z-7G091-A
177.....	116301A.....	Ring, 6R60 Input Shaft (Overdrive Drum W/Shaft) 1.064" OD (Teflon) 2006-Up	2.....	6L2Z-7G091-DA
180.....	116302A.....	Ring, ZF6HP26 (Ford)/6R60 Direct Drum Shaft (Teflon) 2005-Up.....	2.....	6L2Z-7D020-CA
181.....	116303C.....	Ring, ZF6HP26 (Ford) Forward Clutch (Stator Tube Front Ring) (2.355" OD) Teflon, 2005-Up.....	1.....	TBA
181.....	116304A.....	Ring, 6R60 Forward Clutch (Stator Tube Rear Ring) 2.200" OD (Metal) 2006-Up	1.....	6L2Z-7L323-AA
181.....	116304C.....	Ring, ZF6HP26 (Ford) Fwd Clutch (Stator Tube Rear Ring) (2.200" OD) (Teflon) 2005-Up.....	1.....	5L7Z-7D019-A
181.....	116303A.....	Ring, 6R60 Forward Clutch (Stator Tube Front Ring) 2.355" OD (Metal) 2006-Up.....	1.....	6L2Z-7D019-AA
WASHERS & BEARINGS				
211.....	116440AA.....	Shim, ZF6HP26/6R60 Stator To Fwd Sun Gear (.100" Thick) (1.930" OD) (1.600" ID) 2005-.....	1.....	6L2Z-7D014-AA
211.....	116440AB.....	Shim, ZF6HP26/6R60 Stator To Fwd Sun Gear (.108" Thick) (1.930" OD) (1.600" ID) 2005-.....	1.....	6L2Z-7D014-BA
211.....	116440AC.....	Shim, ZF6HP26/6R60 Stator To Fwd Sun Gear (.116" Thick) (1.930" OD) (1.600" ID) 2005-.....	1.....	6L2Z-7D014-CA
211.....	116440AD.....	Shim, ZF6HP26/6R60 Stator To Fwd Sun Gear (.124" Thick) (1.930" OD) (1.600" ID) 2005-.....	1.....	6L2Z-7D014-DA
211.....	116440AE.....	Shim, ZF6HP26/6R60 Stator To Fwd Sun Gear (.131" Thk) (1.930" OD) (1.600" ID) 2005-.....	1.....	6L2Z-7D014-F
214.....	116416C.....	Brg W/Race, ZF6HP26 (Ford) OD Drum To OD Cl Hub(.295" Thk, 1.505" OD, .835" ID) 2005-.....	1.....	TBA
214.....	116416A.....	Bearing W/Races, 6R60 OD Drum To OD Cl Hub (.285" Thk, 1.586" OD, .813" ID) 2006-Up.....	1.....	6L2Z-7C096-B
217.....	116417C.....	Brg W/Race, ZF6HP26 (Ford) Rear Planet To Output Shaft (.158" Thk, 2.19" OD, 1.58" ID) 05-.....	1.....	TBA
217.....	116417A.....	Brg W/Races, 6R60 Rear Planet To Output Shaft (.197" Thick) 2.455" OD (1.626" ID) 06-.....	1.....	6L2Z-7G178-AA
218.....	116441C.....	Race, ZF6HP26 (Ford) Rear Planet To Outp Shaft (.038" Thk, 2.323" OD, 1.71" ID) 2005-Up	1.....	5L7Z-7A166-A
220.....	116425A.....	Bearing W/Race, ZF6HP26/6R60 Rear Sun Gr To Planet) 2005-Up	1.....	6L2Z-7D234-BA
221.....	116447A.....	Race, ZF6HP26 (Ford) Rear Sun Gr To Planet, 2005-Up.....	1.....	6L2Z-7D235-AA
221.....	116442A.....	Race, 6R60 Rear Sun Gear To Planet (.039" Thick) 1.900" OD (1.333" ID) 2006-Up.....	1.....	TBA
223.....	116418C.....	Bearing W/Race, ZF6HP26 (Ford) OD Cl Hub To Fwd Cl (.163" Thk, 2.045" OD, 1.383" ID) 2005-.....	1.....	5L7Z-7L495-A
223.....	116424A.....	Bearing W/Races, 6R60 Overdrive Clutch Hub To Forward Clu Drum #223 2006-Up.....	1.....	6L2Z-7H375-BA
225.....	116419C.....	Brg W/Race, ZF6HP26 (Ford) Center Supp To Sun Gear (.144" Thk, 2.668" OD, 1.86" ID) 2005-.....	1.....	5L7Z-7F405-A
225.....	116419A.....	Bearing W/Races, 6R60 Center Support To Sun Gear (2.925" OD) (1.994" ID) 2006-Up.....	1.....	6L2Z-7C041-BA
226.....	116443C.....	Race, ZF6HP26 (Ford) Center Supp To Sun Gear (Cupped) 2.870" OD (2.010" ID) 2005-Up	1.....	5L7Z-7D066-A
226.....	116443AA.....	Race, 6R60 Center Support To Sun Gear (Flat) .058" Thick (2.434" OD) (2.015" ID) 2006-Up.....	1.....	6L2Z-7F405-A
226.....	116443AB.....	Race, 6R60 Center Support To Sun Gear (Flat) .066" Thick (2.434" OD) (2.015" ID) 2006-Up.....	1.....	6L2Z-7F405-B
226.....	116443AC.....	Race, 6R60 Center Support To Sun Gear (Flat) .073" Thick (2.434" OD) (2.015" ID) 2006-Up.....	1.....	6L2Z-7F405-C
226.....	116443AD.....	Race, 6R60 Center Support To Sun Gear (Flat) .081" Thick (2.434" OD) (2.015" ID) 2006-Up.....	1.....	6L2Z-7F405-D
226.....	116443AE.....	Race, 6R60 Center Support To Sun Gear (Flat) .089" Thick (2.434" OD) (2.015" ID) 2006-Up.....	1.....	6L2Z-7F405-E
229.....	116420C.....	Brg W/Race, ZF6HP26 (Ford) Dir Drum To Center Supp (.135" Thk, 2.625" OD, 1.935" ID) 05-.....	1.....	5L7Z-7F373-A
229.....	116420A.....	Bearing W/Races, 6R60 Direct Drum To Center Support (2.705" OD)(1.995" ID) 2006-Up.....	1.....	6L2Z-7F373-AA
230.....	116444A.....	Race, ZF6HP26 (Ford) Direct Drum To Center Support (2.624" OD) (2.075" ID) 2005-Up.....	1.....	TBA
235.....	116445A.....	Race, ZF6HP26 (Ford) Forward Clutch Hub To Direct Drum (2.212" OD) (1.445" ID) 2005-Up	1.....	TBA
236.....	116421C.....	Bearing W/Race, ZF6HP26 (Ford) Fwd Cl Hub To Dir Drum (2.256" OD, 1.385" ID) 2005-Up.....	1.....	5L7Z-7C096-A
236.....	116421A.....	Bearing W/Races, 6R60 Fwd Cl Hub To Dir Drum (.190" Thk , 2.190" OD, 1.394" ID) 2006-Up.....	1.....	6L2Z-7C096-AA
237.....	116446C.....	Race, ZF6HP26 (Ford) Fwd Planet To OD Drum (.031" Thk, 1.903" OD, 1.37" ID) 2005-Up	1.....	5L7Z-7072-A
238.....	116422C.....	Brg W/Race, ZF6HP26 (Ford) Fwd Planet To OD Drum (.156" Thk, 2.04" OD, 1.384" ID) 2005-.....	1.....	5L7Z-7L495-B
238.....	116422A.....	Brg W/Races, 6R60 Fwd Planet To OD Drum (.192" Thk, 2.192" OD, 1.364" ID) 2006-Up	1.....	6L2Z-7L495-AA
240.....	116423C.....	Bearing W/Races, ZF6HP26 (Ford) Fwd Sun Gr To Planet (.186" Thk, 2.039" OD, 1.308" ID) 05-Up	1.....	TBA
240.....	116424A.....	Bearing W/Races, 6R60 Forward Sun Gear To Planet (.190" Thick) 2.040" OD (1.247" ID).....	1.....	6L2Z-7H375-BA

ZF6HP26, 6R60, 6R75, 6R80

ILL#	Part#		QTY	REF#
247	116447A	Race, ZF6HP26 (Ford)/6R60 Rear Planet Front Sun Gear To Rear Sun Gear (.127" Thick) 1.970" OD (1.382" ID) 2005-Up	2	6L2Z-7D235-AA
248	116425A	Bearing W/Race, ZF6HP26 (Ford)/6R60 Rear Planet Front Sun Gear To Rear Sun Gear (.156" Thk, 2.048" OD, 1.345" ID)	2	6L2Z-7D234-BA
263	116426C	Caged Needle Bearing, ZF6HP26 (Ford) Output Shaft To Case (.778" Thick) 2.480" OD (Cast # RT F-2332851 INA) 2005-Up	1	5L7Z-7A415-A
263	116426A	Caged Needle Brg, 6R60 Outp Shaft To Case (.778" Thk, 2.480" OD)(Cast # 7A415 FOMOC)	1	TBA
270	116448CA	Shim, ZF6HP26 (Ford) Outp Shaft To Rear Alum Spacer (.047" Thick) 2006-Up	1	5L7Z-7N357-A
270	116448CB	Shim, ZF6HP26 (Ford) Outp Shaft To Rear Alum Spacer (.054" Thick) 2006-Up	1	5L7Z-7N357-B
270	116448CC	Shim, ZF6HP26 (Ford) Outp Shaft To Rear Alum Spacer (.063" Thick) 2006-Up	1	5L7Z-7N357-D
270	116448CD	Shim, ZF6HP26 (Ford) Outp Shaft To Rear Alum Spacer (.071" Thick) 2006-Up	1	5L7Z-7N357-E
270	116448CE	Shim, ZF6HP26 (Ford) Outp Shaft To Rear Alum Spacer (.078" Thick) 2006-Up	1	5L7Z-7N357-F
270	116448CF	Shim, ZF6HP26 (Ford) Outp Shaft To Rear Alum Spacer (.086" Thick) 2006-Up	1	5L7Z-7N357-G
270	116448CG	Shim, ZF6HP26 (Ford) Outp Shaft To Rear Alum Spacer (.094" Thick) 2006-Up	1	5L7Z-7N357-H
270	116448CH	Shim, ZF6HP26 (Ford) Outp Shaft To Rear Alum Spacer (.102" Thick) 2006-Up	1	5L7Z-7N357-J
270	116448CJ	Shim, ZF6HP26 (Ford) Outp Shaft To Rear Alum Spacer (.110" Thick) 2006-Up	1	5L7Z-7N357-K
271	116428C	Bearing W/Races, ZF6HP26 (Ford) Output Shaft To Rear Aluminum Spacer (.200" Thick) 2.315" OD (1.570" ID) (With 3 Ears) 2005-Up	1	TBA
271	116428A	Bearing W/Races, 6R60 Output Shaft To Rear Steel Spacer (.190" Thick) 2.352" OD (1.570" ID) (No Ears) 2006-Up	1	TBA
272	116449C	Spacer, ZF6HP26 (Ford) Aluminum (1.042" Thick) 2.835" OD (1.560" ID) Stepped (With 2 Threaded Holes) 2005-Up	1	TBA
272	116449A	Spacer, 6R60 4x4 (Steel) .665" Thk (2.835" OD) 1.760" ID (Stepped) Cast# 6L2P-7A433-BA	1	6L2Z-7A433-AA
272	116429A	Ball Bearing, 6R60 2WD Case To Output Shaft 2006-Up	1	6L2Z-7A415-AA
273	116450A	Race, 6R60 2WD Rear Ball Bearing To Yoke (.039" Thick) 1.733" OD (1.390" ID) 2006-Up	1	6L2Z-7B368-BA
295	116429A	Caged Needle Brg, ZF6HP26 (Ford)/6R60 Pump Body (.575" Wide) (2.055" OD) 2005-Up	1	TBA

GASKETS & RUBBER COMPONENTS

300	116500B	Gasket, Pan, 6R60/6R75/6R80 (Bonded) For Metal Pan 2006-Up	1	6L2Z-7A191-BA
300	116500C	Gasket, Pan, ZF6HP26, For 21-Bolt Plastic Pan, 2002-Up	1	5L7Z-7A191-A
300	116500A	Gasket, Pan, ZF6HP26, For 21-Bolt Metal Pan, 2007-Up	1	7L7Z-7A191-A
300	116500D	Gasket, Pan, ZF6HP26A, For 24-Bolt Metal Pan, 2004-Up	1	TBA
305	116272A	Gasket, 6R60 4x4 Extension Housing 2006-Up	1	TBA
309	116268C	Seal/Washer, ZF6HP26 (Ford) Pump Bolt 2005-Up	14	TBA
311	116529A	O-Ring, ZF6HP26 (Ford)/6R60 Pump Body 2005-Up	1	TBA
381	116516A	O-Ring, ZF6HP26 (Ford)/6R60 Pump Cover To Case 2005-Up	1	6L2Z-7A248-CA
385	116265C	Seal, ZF6HP26 (Ford) Rubber Feed Tubes Valve Body To Center Supp (Long) 2005-	6	TBA
385	116265A	Seal, 6R60 Rubber Feed Tube VB To Center Supp (1.569" Long With Blue End) 2006-Up	1	6L2Z-7G087-AA
385	116265AA	Seal, 6R60 Rubber Feed Tube VB To Center Supp (1.230" Long With Green End) 2006-Up	1	6L2Z-7G199-AA
385	116265AB	Seal, 6R60 Rubber Feed Tube VB To Center Supp (1.005" Long W/ Black Ends) 2006-Up	2	6L2Z-7G084-AA
386	116265C	Seal, ZF6HP26 (Ford) Rubber Feed Tubes VB To Center Support (Short Ones) 2005-Up	2	TBA

TECHNICAL MANUALS

400	TMZF6HP26	Technical Manual, ZF6HP26 (Ford) 2005-Up	1	TBA
-----	-----------	--	---	-----

ELECTRICAL COMPONENTS

420	116941	Solenoid, 6R60/6R80, White Conn, 2006-Up	1	6L2Z-7G484-AA
420	116941AD	Solenoid, 6R60/6R80, Brown Conn, 2006-Up	3	6L2P-7G383-AD
420	116941AB	Solenoid, 6R60/6R80, Black Conn, 2006-Up	3	6L2P-7G383-BD
420	116949C	Solenoid Kit, ZF6HP26, 2006-Up	1	1068298044
420	116941C	Solenoid, ZF6HP26, Black Conn, 2006-Up	1	0501319037
420	116941CA	Solenoid, ZF6HP26, Blue Conn, 2006-Up	3	0501213959
420	116941CB	Solenoid, ZF6HP26, Yellow Conn, 2006-Up	3	0501213960
444	116983C	Connector, ZF6HP26 (Ford) Case (Plastic, Pass Through) 2005-Up	1	5L7Z-7G276-AA
444	116983A	Connector, 6R60/6R80 Case (Plastic, Pass Through) (Cast # 6L2P-7H585-AA) 2006-Up	1	6L2Z-7G276-AA
446	116987A	TCM Circuit Board, 6R60/6R80 (Cast # 6L2P14C247-AC) 2006-Up	1	TBA
446	116987AB	TCM Circuit Board, 6R60/6R80 (Cast # 6L2P14C247-AA) 2006-Up	1	TBA
446	116987AC	TCM Circuit Board, 6R60/6R80 (Cast # 6L2P14C247-AD) 2006-Up	1	TBA
446	116987B	TCM Circuit Board, 6R80 (Cast # 7L1P14C247-AD) 2006-Up	1	TBA
446	116987C	Circuit Board, ZF6HP26 (Ford) Control Module 2005-Up	1	TBA
459	116890C	Bracket, ZF6HP26 (Ford) Holds Solenoids On Valve Body 2005-Up	1	TBA

MISCELLANEOUS COMPONENTS

484	116081C	Oil Sleeve, ZF6HP26 (Ford) VB To Center Supp (Alum)(Between The Rubber Seals) 05-Up	4	TBA
492	116082C	Drain Plug, ZF6HP26 (Ford) Plastic (With Allen Head) 2005-Up	1	TBA
493	116083C	Fill Plug, ZF6HP26 (Ford) (Allen Head) 2005-Up	1	5L7Z-7A010-AA
493B	116598	Dip Stick, 6R60 (Yellow) (4 15/16" Long) 2006-Up	1	TBA
493	116621	Dip Stick Cover, 6R60 (19mm Hex Head) 2006-Up	1	TBA

ZF6HP26, 6R60, 6R75, 6R80

ILL#	Part#		QTY	REF#
PUMPS & PUMP COMPONENTS				
500.....	116915A.....	Pump, 6R60, Bearing Type	1.....	TBA
500.....	116915D.....	Pump, ZF6HP26-Must Match Casting #s)	1.....	TBA
510.....	116916C.....	Pump Body W/Gears, ZF6HP26 (Ford) (17 Teeth Inner Gear) 2005-Up.....	1.....	TBA
510.....	116916A.....	Pump Body W/Gears, 6R60 (17 Teeth Inner Gear) (Cast # 6L60B) 2006-Up.....	1.....	TBA
520.....	116913C.....	Pump Cover, ZF6HP26 (Ford) Aluminum (Cast # 1068) 2005-Up	1.....	TBA
520.....	116913A.....	Pump Cover, 6R60 (Aluminum) (Cast # AL9S11CU) 2006-Up	1.....	TBA
528.....	116914C.....	Stator Housing, ZF6HP26 (Ford) Aluminum (Cast # 1068 410 041) 2005-Up	1.....	TBA
528.....	116914A.....	Stator Housing, 6R60 (Aluminum) (Cast # 03 04 05 06) 2006-Up	1.....	TBA
529.....	116918C.....	Stator Tube, ZF6HP26 (Ford) 7" Long (17 Bolt Holes) 2005-Up	1.....	TBA
530.....	K116201C.....	Pump Gr Set, ZF6HP26 (Ford) 17 T Inner Gr (.550" Thk) W/ 2 Lugs For Conv Hub, 05-Up	1.....	TBA
DRUMS, PISTON KITS & HUBS				
550.....	116732C.....	Drum W/Shaft, ZF6HP26 (Ford) Overdrive Clutch Drum (E Clutch) (With 71 Teeth	1.....	5L7Z-7F207-A
		Forward Planet Ring Gear & 3 Ring Shaft)(6 Clutch) 2005-Up		
550.....	116732A.....	Drum W/Shaft, 6R60 OD Cl Drum (E-Cl) With 71T Fwd Planet Ring Gr, 2-Ring Shaft, 5-Cl, 06-	1.....	6L2Z-7F207-AA
554.....	116733A.....	Drum, ZF6HP26 (Ford)/6R60 Fwd Cl (A) 7 7/8" OD, 3.227" Tall) Uses 30T Steel (Stamped) 05-	1.....	6L2Z-7A360-BA
555.....	116734A.....	Drum, ZF6HP26 Direct Cl (B) Stamped Steel (7 5/8" Tall) Uses 30T Dir Steels, 05-Up.....	1.....	5L7Z-7F283-B
555.....	116734B.....	Drum, 6R60/6R75/6R80, Direct Cl (B) 2006-Up.....	1.....	6L2Z-7F283-A
560.....	K116762C.....	Piston Kit, ZF6HP26 (Ford) Overdrive Clutch 2005-Up (Piston Cast # 1 068 471 037)	1.....	TBA
560.....	K116762A.....	Piston Kit, 6R60 Overdrive Clutch (Piston Cast # RF7L1P-7G418-BA) 2006-Up	1.....	TBA
562.....	K116763C.....	Piston Kit, ZF6HP26 (Ford) Intermediate Clutch (Piston Cast # 1068475016) 2005-Up	1.....	TBA
564.....	K116764C.....	Piston Kit, ZF6HP26 (Ford) Forward Clutch 2005-Up	1.....	TBA
564.....	K116764A.....	Piston Kit, 6R60 Forward Clutch (Cast # 6L20-7H360-AA On #964B) 2006-Up	1.....	TBA
565.....	K116765C.....	Piston Kit, ZF6HP26 (Ford) Direct Clutch (6 Pieces) 2005-Up.....	1.....	TBA
565.....	K116765A.....	Piston Kit, 6R60 Direct Clutch (Piston Cast # RF6L2P-7C117-AA) 2006-Up.....	1.....	TBA
567.....	K116766C.....	Piston Kit, ZF6HP26 (Ford) Low/Reverse Clutch 2005-Up	1.....	TBA
570.....	116740C.....	Hub W/Shaft, ZF6HP26 (Ford) OD Cl (10 7/8" .670" OD, Front Pilot 3/4", 30 Cl Splines) 05-Up	1.....	5L7Z-7F351-A
570.....	116740A.....	Hub W/Shaft, 6R60 OD Cl (10 7/8" Long) (.670" OD Front Pilot 1 1/4" Long) 1/06-8/06	1.....	6L2Z-7F351-D
574.....	116741A.....	Hub W/Shaft, ZF6HP26 (Ford)/6R60 Fwd Cl (11 1/8" Tall) 15 Round Holes, 30 Cl Splines, 05-	1.....	6L2Z-7B067-A
575.....	116742A.....	Hub, ZF6HP26 (Ford)/6R60 Direct Clutch (2.235" Tall) 30 Clutch Splines 2005-06.....	1.....	6L2Z-7F236-AA
PLANETS, RING GEARS & SUN GEARS				
580.....	116748C.....	Planet, ZF6HP26 (Ford) Rear (Cast # 1068 332 060 818 On Rear Oil Shield) 2005-Up	1.....	5L7Z-7D006-A
580.....	116748A.....	Planet, 6R60/6R80 Rear (Cast # 6L2P-7H583-AA On Rear Oil Shield) 2006-10	1.....	6L2Z-7D006-AA
580.....	116748B.....	Planet, 6R60/6R80 Rear, 2011-Up	1.....	BL3Z-7D006-A
582.....	116747C.....	Planet, Forward, ZF6HP26 (Ford) (4-Gear) 2005-Up.....	1.....	5L7Z-7A398-A
582.....	116747A.....	Planet, 6R60 Forward (3-Gear) Cast#6L2P-7H356-AA, 2006-Up.....	1.....	6L2Z-7A398-BA
582.....	116747BA.....	Planet, Forward, ZF6HP26 (Ford) / 6R75 / 6R80, 2007-Up	1.....	7L1Z-7A398-A
582.....	116747B.....	Planet, Forward, 6R80 (Stamped) 2009-Up	1.....	9L3Z-7A398-C
590.....	116758C.....	Ring Gear, ZF6HP26 (Ford) Rear Planet (Overdrive) 2005-Up	1.....	5L7Z-7A153-A
590.....	116758A.....	Ring Gear, 6R60 Rear Planet (Overdrive) (Cast # 7G211 HB) 2006-Up.....	1.....	6L2Z-7A153-B
610.....	116755C.....	Sun Gear, ZF6HP26 (Ford) Rear Planet (Rear Sun Gear) 31 Teeth (No Groove)	1.....	TBA
		1.595" Thick (2.372" OD) Splined ID (Flat On Front & Rear Of Gear) 2005-Up		
610.....	116755A.....	Sun Gear, 6R60 Rear Planet (Rear Sun Gear) (31 Teeth No Groove) 1.505" Thick	1.....	6L2Z-7D063-E
		(2.372" OD) Splined ID (With Raised Shoulder On Front & Back) 2006-Up		
612.....	116753A.....	Sun Gr, ZF6HP26 (Ford)/6R60 Fwd (37T) 1 Groove (.870" Thk) 2.570" OD, Splined Inside, 05-	1.....	6L2Z-7D063-DA
614.....	116755CA.....	Sun Gear, ZF6HP26 (Ford) Rear Planet (Front Sun Gear) 38 Teeth (3 Groove)	1.....	TBA
		.870" Thick (2.880" OD) Splined ID (Flat On Front & Rear Of Gear) 2005-Up		
614.....	116755AA.....	Sun Gear, 6R60 Rear Planet (Front Sun Gear) 38 Teeth 3 Groove (.870" Thick) 2.880" OD	1.....	6L2Z-7D063-CA
		(Splined ID) (With Raised Shoulder On Front & Rear) 2006-Up		
CENTER SUPPORTS & SHAFTS				
632.....	116826C.....	Center Supp, ZF6HP26 (Ford) Alum (4 3/4" Thk) 8" OD (Uses 30T Intern Steel) Cast# 1068.....	1.....	5L7Z-7A130-A
632.....	116826A.....	Cent Supp, 6R60 (Alum) 4 3/4" Thk (8" OD) 30T Intern Steels, Cast#6L2P-7L328-CC, 06-Up.....	1.....	6L2Z-7A130-A
632.....	116826B.....	Cent Supp, 6R60, Cast #RF9L3P7L328AB.....	1.....	TBA
639.....	116084A.....	Keyway Lug, ZF6HP26/6R60 Center Supp To Case (.240" Thk, .472" Wide, 1.175" Long).....	2.....	5L7Z-7B220-A
678.....	116851C.....	Shaft, ZF6HP26 (Ford) Output (4x4) 7 7/8" Long Shaft 2005-Up.....	1.....	5L7Z-7060-B
678.....	116851A.....	Shaft, 6R60 Output (4x4) 5 7/16" Long Shaft (20 Parking Lugs) 2006-Up.....	1.....	6L2Z-7060-B
698.....	116085C.....	Oil Sleeve, ZF6HP26 (Ford) Valve Body To Pump (Plastic, Dual Squares) 2005-Up	1.....	TBA
698.....	116085A.....	Oil Sleeve, 6R60 VB To Pump (Plastic, Dual Squares)(Cast # 6L2P-7F401-CA) 2006-Up	1.....	6L2Z-7F401-A
699.....	116086A.....	Oil Baffle, 6R60 Forward Planet (Rear) Plastic, 6 Tabs (Cast # 6L2P7H578A) 2006-Up	1.....	6L2Z-7L339-A
VALVE BODIES & VALVE BODY PLATES				
740.....	116754C.....	Valve Body, ZF6HP26 (Ford) (Navigator) (With 7 Solenoids) 2005-Up.....	1.....	TBA
740.....	116754A.....	Valve Body, 6R60 (With 7 Solenoids) (Cast # RF6L2P-7A101-DA On Filter Side)	1.....	TBA
		(Cast # RF6L2P-7A092-DA On Case Side) 2006-Up (Ser Plate Cast # 6L2P-7Z490-FB).....		
741M.....	116940.....	Manual Valve, ZF6HP26 (Ford) 5 3/8" Long (.590" OD) 2005-Up (With 5 Spools)	1.....	TBA

ZF6HP26, 6R60, 6R75, 6R80

ILL#	Part#		QTY	REF#
747	116752	VB Plate, W/ Bonded Gaskets, 6R60 / 6R80 2006-Up.....	1	6L2Z-7Z490-B
747	116752A	VB Plate, Beaded, ZF6HP26 For VB Codes A035/B035, Replaces Stamp# 1068-327-141.....	1	1068-227-035
747	116752E	VB Plate, Beaded, ZF6HP26 For VB Codes A036/B036, Replaces Stamp# 1068-327-145.....	1	1068-227-051
747	116752C	VB Plate, Beaded, ZF6HP26 For VB Codes A046/B046, No Stamp Code.....	1	N/A
747	116752D	VB Plate, Beaded, ZF6HP26 For VB Codes A047/B047, Replaces Stamp# 1068-327-163.....	1	1068-227-047
747	116752E	VB Plate, Beaded, ZF6HP26 For VB Codes A051/B051, Replaces Stamp# 1068-327-179.....	1	1068-227-051
747	116752F	VB Plate, Beaded, ZF6HP26 For VB Codes A052/B052, Replaces Stamp# 1068-327-180.....	1	1068-227-052
747	116752G	VB Plate, Beaded, ZF6HP26 For VB Codes A053/B053, Replaces Stamp# 1068-327-189.....	1	1068-227-053
747	116752H	VB Plate, Beaded, ZF6HP26 For VB Codes A063/B063, Replaces Stamp# 1068-327-210.....	1	1068-227-063
747	116752J	VB Plate, Beaded, ZF6HP26 For VB Codes A065/B065, Replaces Stamp# 1068-327-224.....	1	1068-227-065
CASES, PANS & HOUSINGS				
760	116701C	Case, ZF6HP26 (Ford) (Navigator) (5.4L Engine) 2005-Up.....	1	5L7Z-7005-A
760	116701A	Case, 6R60 (4.6L) 4x4 2006-Up.....	1	TBA
760	116701AA	Case, 6R60 (4.6L) 2WD 2006-Up.....	1	TBA
761P	116622	Thermal By-Pass Valve, ZF6HP26 (Ford) (In Case) (Valve & Spring) 2005-Up.....	1	TBA
761P	116622A	Thermal By-Pass Valve, 6R60 (In Case) (Valve, Spring & Sleeve) 2006-Up.....	1	TBA
765	K116710C	Pan, ZF6HP26 (Ford) Bottom (Plastic) With Filter Made Into The Pan (2005-06 Navigator).....	1	5L7Z-7A194-AA
765	K116710D	Pan, ZF6HP26 (BMW/Jaguar) Bottom (With Pan Gasket & Filter).....	1	TBA
765	116701A	Pan, 6R60 Bottom 1" Deep (Metal) (21 Bolt) 2006-Up.....	1	TBA
765	116701E	Pan, 6R80 Bottom 1/4" Deep (Metal) 2008-Up.....	1	TBA
770	116702C	Ext Hsg, ZF6HP26 (Ford) 4x4 (Cast Iron) 5 3/16" Long (With 2 Threaded Bossed) 2005-Up.....	1	TBA
770	116702A	Extension Housing, 6R60 4x4 (Cast Iron) 2006-Up.....	1	TBA
PISTONS, SNAP RINGS & MISCELLANEOUS				
798	116087	Nut, 6R60 Holds 2WD Yoke To Output Shaft (12 Point) 2006-Up.....	1	TBA
841	116706	Yoke, 6R60 2WD (4 Bolt) 2006-Up.....	1	TBA
861	K116928A	Kit, Snap Ring, ZF6HP26/6R60 2005-Up.....	1	TBA
960	116762C	Piston, ZF6HP26 (Ford) Overdrive Clutch (Aluminum) 1.345" Thick (5.100" OD).....	1	5L7Z-7A262-E
		(1.485" ID) (Cast # 1 068 471 037) 2005-Up.....		
960	116762A	Piston, 6R60 Overdrive Clutch (Aluminum) 1.330" Thick (5.100" OD) 1.485" ID.....	1	6L2Z-7A262-A
		(Cast # RF7L1P-7G418-BA) 2006-Up.....		
960	116762B	Piston, 6R80 Overdrive Clutch (Aluminum).....	1	TBA
960B	116862C	Piston/Retainer, ZF6HP26 (Ford) Overdrive Clutch Inner (Steel) 4.812" OD (1.385" ID).....	1	5L7Z-7H360-B
		(Smooth Where Snap Ring #862 Sets) 2005-Up.....		
960B	116862A	Piston/Retainer, 6R60 Overdrive Clutch Inner (Steel) (4.812" OD) 1.385" ID (With 4 Humps.....	1	6L2Z-7H360-BA
		Where Snap Ring #862 Sets) 2006-Up.....		
960B	116862B	Piston/Retainer, 6R80 Overdrive Clutch Inner.....	1	TBA
962	116763C	Piston, ZF6HP26 (Ford) Intermediate Clutch (Aluminum) .686" Thick (7 3/8" OD).....	1	5L7Z-7E005-A
		5.645" ID (Cast # 1068475016) 2005-Up.....		
962	116763A	Piston, 6R60 Intermediate Clutch (Aluminum) .910" Thick (7 5/16" OD) 5.634" ID.....	1	6L2Z-7E005-BA
		(Cast # RF6L2P-7J015-BA) 2006-Up.....		
962	116763B	Piston, 6R80 Intermediate Clutch (Aluminum).....	1	TBA
964	116764C	Piston, ZF6HP26 (Ford) Forward Clutch (Aluminum) 7 5/16" OD (3.040" ID).....	1	5L7Z-7A262-D
		(Cast # 1068 470 044) 2005-Up.....		
964	116764A	Piston, 6R60 Fwd Clutch (Alum) 7 5/16" OD (3.040" ID) (Cast # RF6L2P-7L140-AA) 2006-Up.....	1	6L2Z-7A262-EA
964	116764B	Piston, 6R80 Fwd Clutch (Alum).....	1	TBA
964B	116864C	Housing, ZF6HP26 (Ford) Forward Clutch Piston (7 1/16" OD) 1.355" Tall.....	1	5L7Z-7H360-C
		(Splined ID) (Used With 4 Gear Planet #582) 2005-Up.....		
964B	116864A	Housing, 6R60 Forward Clutch Piston (7 1/16" OD) 1.355" Tall (Splined ID).....	1	6L2Z-7H360-AA
		(Cast # 6L2P-7H360-AA) (Used With 3 Gear Planet #582) 2006-Up.....		
964B	116864AA	Housing, 6R75 Forward Clutch Piston.....	1	TBA
964B	116864B	Housing, 6R80 Forward Clutch Piston.....	1	TBA
965	116765C	Piston, ZF6HP26 (Ford) Direct Clutch (Outer) Aluminum & Steel (8 Square Holes).....	1	5L7Z-7A262-C
		2 3/4" Thick (7 3/16" OD) (1.995" ID) 2005-Up (Cast # 1068 472 041).....		
965	116765A	Piston, 6R60 Direct Clutch (Outer) Aluminum & Steel (8 Square Holes) 2 3/4" Thick.....	1	6L2Z-7A262-DA
		(7 3/16" OD) 1.995" ID (Cast # RF6L29-7C117-AA) 2006-Up.....		
965	116765B	Piston, 6R80 Direct Clutch.....	1	9L3Z-7A262-C
965B	116865C	Piston, ZF6HP26 (Ford) Direct Clutch (Aluminum) 10 Lugs In The Center.....	1	5L7Z-7H360-A
		(4.635" OD) (1.940" ID) (Cast # 1068 472 035) 2005-Up.....		
965B	116865A	Inner Piston, 6R60 Direct Clutch (Aluminum) 10 Lugs In The Center (4.635" OD) 1.940" ID.....	1	6L2Z-7H359-AA
		(Cast # RF6L2P-7H359-AA) 2006-Up.....		
965B	116865B	Balance Piston (Inner) 6R80 Direct Clutch (Aluminum).....	1	TBA
967	116766C	Piston, ZF6HP26 (Ford) Low/Rev Cl (Steel) .970" Thick (7 3/16" OD, 2.45" ID) 2005-Up.....	1	5L7Z-7A262-B
967	116766A	Piston, 6R60 Low/Reverse Clutch (Aluminum) .856" Thick (7 3/16" OD) 2.465" ID.....	1	6L2Z-7A262-CA
		(Cast # RF6L2P-7D343-CA) 2006-Up.....		
967	116766AA	Piston, 6R75 Low/Reverse Clutch (Aluminum) .625" Thick.....	1	TBA
967	116766B	Piston, 6R80 Low/Reverse Clutch (Aluminum) .715" Thick.....	1	TBA

ZF6HP26, 6R60, 6R75, 6R80

ILL#	Part#		QTY	REF#
967B	116866C	Inner Piston, ZF6HP26 (Ford) Low/Rev Clu (Alum) 1.055" Thk, 3.848" OD, 2.39" ID, 05-Up	1	5L7Z-7A262-A
970	116872A	Return Spring, ZF6HP26/6R60 OD Clu Piston (.079" Thk, 4.480" OD)(19-Fingers) 05-Up	1	6L2Z-7B070-AA
972	116873A	Return Spring, ZF6HP26 (Ford) / 6R60 Intern Clu (.080" Thick) 7" OD (12 Fingers) 05-Up	1	5L7Z-7B070-E
974	116874A	Return Spring, ZF6HP26/6R60 Fwd Clu (10 Fingers) .082" Thick (5.625" OD) 2005-Up	1	6L2Z-7A480-AA
975	116875A	Return Spring, ZF6HP26/6R60 Direct Clutch Piston (.098" Thick) (2.140" OD) 2005-Up	1	6L2Z-7B488-AA
975	116875B	Return Spring 6R80 Direct Clutch Piston	1	TBA
977	116876C	Return Spring, ZF6HP26 (Ford) Low/Rev Cl Piston (.062" Thk, 5.700" OD) 12-Fingers) 2006-	1	5L7Z-7B070-B
977	116876A	Return Spring, 6R60 Low/Rev Clutch Piston (.078" Thick) 5.630" OD (12 Fingers) 2006-Up	1	6L2Z-7B070-BA
982	116863A	Retainer, ZF6HP26/6R60 Intern Cl Piston (Steel) .700" Thk, 5.463" OD, 3.55" ID) 2005-	1	6L2Z-7B043-AA
985	116623	Spacer, ZF6HP26/6R60 Under Snap Ring #879 (.083" Thick Stepped To .052" Thick)	1	6L2Z-7A527-AA
991	K116624	Linkage Assembly, ZF6HP26 (Ford) / 6R60 Internal 2005-Up	1	TBA
992	116625	Manual Shaft, ZF6HP26 (Ford) W/ External Lever 2005-Up (Lever Is Welded to Shaft)	1	5L7Z-7A256-A
992	116625A	Manual Shaft, 6R60 With External Lever 2006-Up (External Lever Bolts Onto The Shaft)	1	6L2Z-7C493-AA
995	K116626	Park Pawl Assembly, ZF6HP26 (Ford) (4 Pieces) 2005-Up	1	TBA
995	K116626A	Park Pawl Assembly, 6R60 (4 Pieces) (Cast # 6L2P-7A441-BA) 2006-Up	1	TBA
999	K116627	Oil Tube Set, ZF6HP26 (Ford) (4 Pieces) 2005-Up	1	TBA