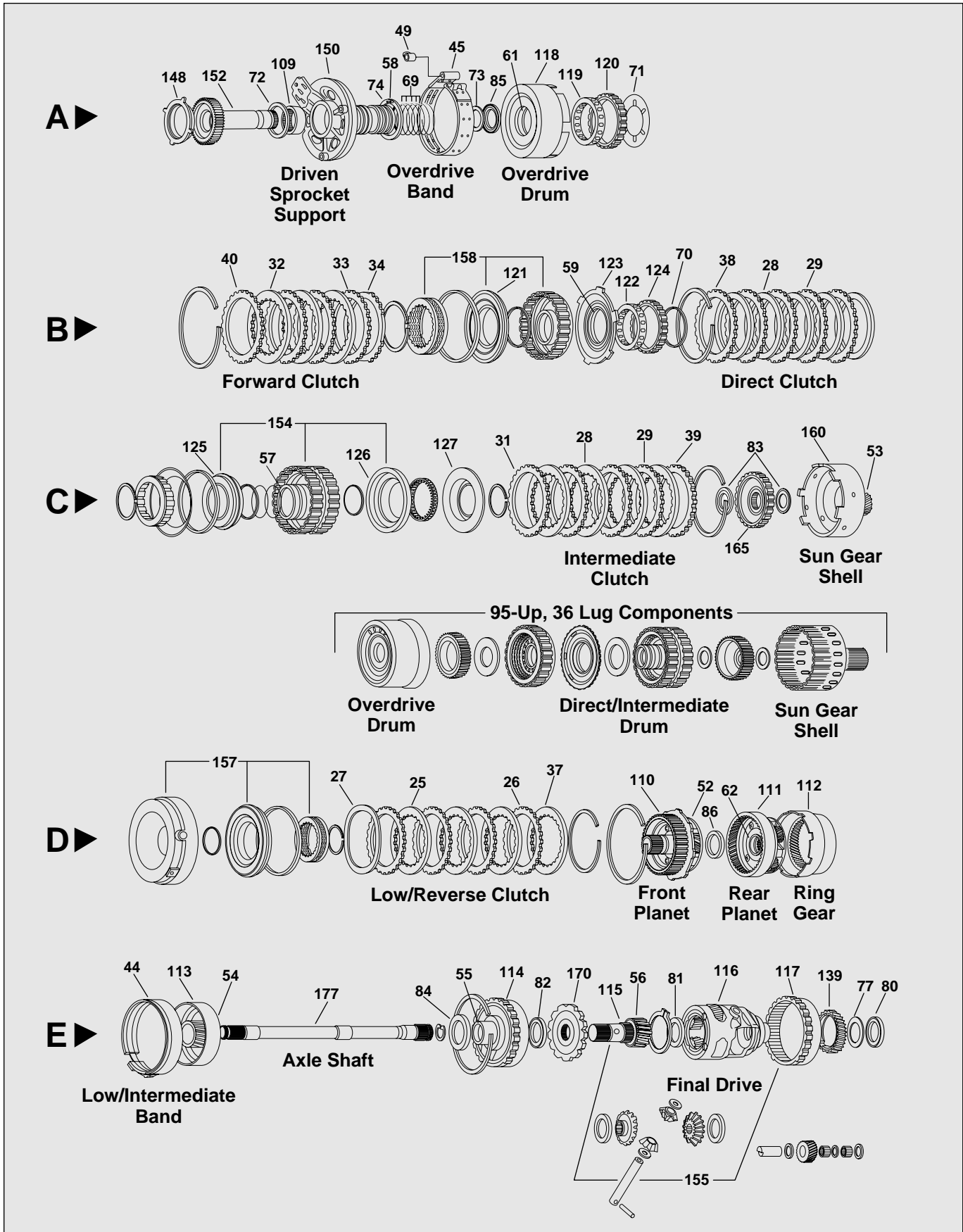
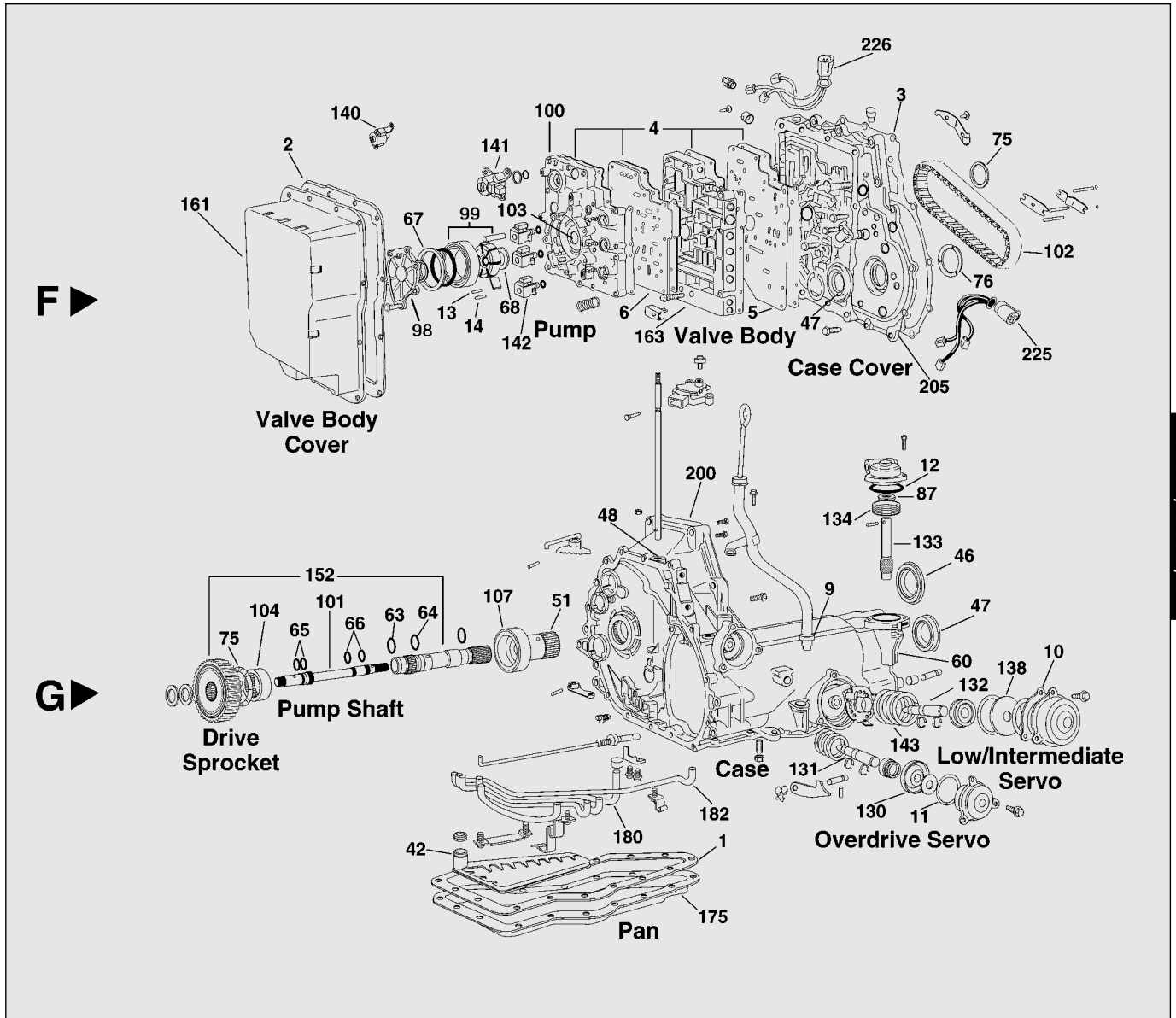


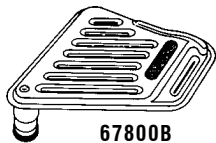
FORD AXOD/E (AX4S) AX4S-HO OVERDRIVE



FORD AXOD/E (AX4S) AX4S-HO OVERDRIVE



AX4S/AXOD/E

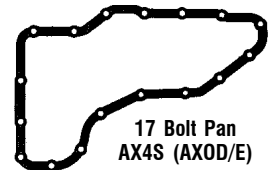


67800B
(2nd Design, Short, Orange Seal)
Short Bracket Included

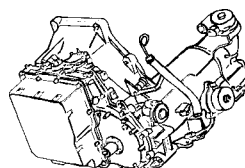
67800C
(2nd Design, Long, Orange Seal)
Short Bracket Included

67800D
(Green Seal)

AXOD/E (AX4S)	
Lincoln Continental	88-Up
Sable - Various	86-Up
Taurus - Various	86-Up
Taurus - SHO	91-Up
Windstar	95-Up



17 Bolt Pan
AX4S (AXOD/E)



Front Wheel Drive

FORD AXOD/E (AX4S) AX4S-HO OVERDRIVE

REBUILDER KITS

DESCRIPTION	QTY.	YEAR	DELUXE KIT	MASTER O/H KIT	LESS STEELS KIT	OVERHAUL KIT	GASKET & SEAL KIT
To order Kits with all Borg Warner frictions, use a 'KB' prefix instead of the traditional 'K' prefix.							
Rebuilder Kits:							
-w/.090 Intermediate Steels - AXOD	1	86-87	K6700-R	K6700	K6700-LS	K67900	K67900-1
-w/.070 Intermediate Steels - AXOD	1	88-Up	K6700A-R	K6700A	K6700-LS	K67900	K67900-1
- AX4S (1)	1	91-95	K6700E-R	K6700E	K6700E-LS	K67900E	K67900E-1
- AX4S - Windstar 3.8L (2)	1	96-98		K6700G	K6700G-LS	K67900E	K67900E-1
- AX4S - Taurus (Windstar 3.0L) (3)	1	96-98		K6700H	K6700H-LS	K67900E	K67900E-1
- AX4S - Taurus (Windstar 3.0L) (4)	1	99-Up		K6700J	K6700J-LS	K67900J	
- AX4S - Windstar 3.8L	1	99-00		K6700L	K6700L-LS	K67900J	
External Leak Seal Kit - AXOD	1	86-Up					SK67900-2

- (1) To service 91 models, purchase 4, 67304 frictions and 4, 67405 steels separately. To service 93-95 SHO, purchase direct/intermediate bonded pistons separately.
- (2) Master overhaul kit/less steels kits contain forward "short"/direct/intermediate bonded pistons for replacement/conversion, and hi-energy friction/Kolene steels for direct/intermediate clutch. To service 1998 Windstar, purchase forward piston, 67946E, separately. To service any 3.0L/3.8L direct/intermediate with .095 thick steels, purchase 67305AK separately.
- (3) Master overhaul kit & less steels kit does not contain bonded pistons. Friction/steel make-up same as "G" kit.
- (4) Direct/intermediate steels are .070 thick. To service models with .095 direct/intermediate steel purchase 67305AK separately.

ILL.	DESCRIPTION	QTY.	YEAR	PART NO.	REFERENCE NO.
VALVE BODY KITS					
TRANSGO®					
N.I.	Shift Kit® - Lube & Calibration Upgrade - AXOD	1	86-Up	K67908	SK® AXOD
N.I.	Shift Kit® - Corrects Lube, Shift, Line, & EPC Problems - AX4S	1	91-Up	K67908E	SK® AXOD-E
N.I.	Shift Kit® - Corrects Lube, Shift, Line, & EPC Problems - AX4S	1	96-Up	K67908EJ	SK® AXODE-JR
SUPERIOR					
N.I.	Shift Correction Package - Cleaner Shifts, Better Lube Oil - AXOD	1	86-Up	67C01	K-AXOD
N.I.	Shift Correction Package - Inc. New Steel Boost Valve Replacement - AXOD-E	1	91-Up	67C02	K-AXOD-E
N.I.	Lub Dam Kit - Retains Oil In Case, Protects Against Planet Burn Up - AXOD/E	1	86-Up	K67836	KAXOD-L
SONNAX					
N.I.	Sure Cure® - Recondition Kit - AXOD-E - Fixes Downshift, Harsh Reverse	1	91-Up	67S02	SC-AXODE

MISCELLANEOUS GASKETS & SEALS/PAN GASKETS

1G	Gasket - Oil Pan:				
	- Cork & Neoprene	1	86-95	13995X	E6DZ-7A191A
	- Fibre	1	86-95	13995F	E6DZ-7A191A
	- Korcork	1	86-95	13995S	E6DZ-7A191A
	- Molded Rubber	1	96-Up	13995R	F6DZ-7A191A
2F	Gasket - Main Control Cover - Side:				
	- Cork/Neoprene	1	86-95	13935	E6DZ-7F396A
	- Fibre	1	86-95	13935F	E6DZ-7F396A
	- Korcork	1	86-95	13935S	E6DZ-7F396A
	- Molded Rubber	1	96-Up	13935R	F6DZ-7F396A
3F	Gasket - Chain Cover:				
	- AX4S	1	86-99	13936	E6DZ-7G303A
	- AX4S	1	00-Up	13936B	YF1Z-7G303AA
4F	Gasket Package -Pump/Valve Body:				
	- No Stripe - AXOD (7)	1	86	K13812	N.L.
	- White Stripe - AXOD (7)	1	87	K13812A	N.L.
	- Yellow/Blue Stripe - AXOD (7)	1	88-91	K13812B	N.L.
	- Various Stripes - AXOD-E (7)	1	91-Up	K13812D	N.L.

(7) Contains oil pump and V.B. separator plate gaskets. 94-Up uses bonded gaskets to separator plate

FORD AXOD/E (AX4S) AX4S-HO OVERDRIVE

ILL.	DESCRIPTION	QTY.	YEAR	PART NO.	REFERENCE NO.
MISCELLANEOUS GASKETS & SEALS/PAN GASKETS					
5F	Gasket - Valve Body - Bonded w/Plate: - #31 - 3.2L - Taurus SHO - AX4S - #40 - 3.0L - Taurus, Sable - AX4S - #41 - 3.8L - Continental (94), Taurus, Sable - AX4S - #58 - 3.8L - Windstar - AX4S - #53 - 3.0L - Windstar - AX4S - #42 (Replaces #63 & #97) - 3.0L - Windstar, Taurus, Sable - AX4S - #47 - 3.8L - Windstar - AX4S (Replaces #67) - #98 - 3.0/3.8L - Taurus, Sable, Windstar - AX4S - #95 - 3.0/3.8L - Taurus/Sable/Windstar - AX4S (Replaces #94 & #99) - #00 - 3.0L - Taurus, Sable - AX4S	1 1 1 1 1 1 1 1 1 1	94-95 94-95 94-95 95 95 96-97 96-97 98 99-00 00	13813H 13813J 13813K 13813L 13813M 13813N 13813P 13813Y 13813AB 13813AC	F5DZ-7Z490B F5DZ-7Z490C F5DZ-7Z490D F58Z-7Z490A F58Z-7Z490B F6DZ-7Z490FB F68Z-7Z490CA F88Z-7Z490AA XF2Z-7Z490BA YF1Z-7Z490AA
6F	Gasket - Pump - Bonded w/Plate - AX4S: - #AH - 3.8L - Continental (94), Windstar (95), All Engines-Taurus, Sable, SHO - #51 - 3.0L - Windstar, All Engine Sizes - Taurus, Sable, Windstar - #99 - 3.0/3.8L - Taurus, Sable, Windstar	1 1 1	94-95 95-98 99-00	13813Q 13813R 13813S	F5DZ-7R167A F58Z-7R167A XF2Z-7R167AA
9G	Sleeve - Oil Filler Tube to Case - All	1	86-Up	13925	E2FZ-7N243A
10G	Gasket - Low & Intermediate Servo Cover - All	1	86-Up	13938	F2DZ-7D026A
11G	Seal - Overdrive Servo Cover - White Stripe - All	1	86-Up	13939	E6DZ-7D024A
	Seal - Overdrive Servo Cover - No Color - All	1	86-Up	13939A	E6DZ-7D024B
12G	O-Ring - Governor/Speedo Cover - AXOD/E	1	86-98	13940	N803201S
13F	Slide Seal - Pump - Round Rubber - All	1	86-Up	13768	N.L.
14F	Slide Seal - Pump - Plastic - All	1	86-Up	13762	N.L.
N.I.	Cap - Bonded (Governor Cover - Fits Governor/Speedo Cover Hole)	1	00-Up	13197	N.L.
N.I.	O-Ring - Low & Intermediate Servo Cover - All	1	86-Up	13817	E6DZ-7D040A
N.I.	Check Ball - 5/16" Valve Body - All	AR	86-Up	13924A	E0AZ-7E195A
N.I.	Plug Seal - Lube Tube to Case - AXOD	1	86-93	13969	E6DZ-7G085A
N.I.	Plug Seal - Lube Tube to Case - 2nd Design - AXOD-E	1	93-Up	13969F	F3DZ-7G085A

AX4S/AXOD/E

CLUTCH PLATES

Order Frictions with 'B' prefix for Borg Warner brand, 'R' prefix for Raybestos brand.

25D	Friction - Reverse - All	4-5	86-Up	67504	F8DZ-7B164CA
28B,C	Friction - Direct & Intermediate - All	9/10	86-95	67404	E8DZ-7B164A
28B,C	Friction - Direct & Intermediate - Hi-Energy - All	9/10	96-Up	67404H	XF2Z-7B164CA
32B	Friction - Forward - AXOD/E	3/4	86-91	67304	E6DZ-7B164B
32B	Friction - Forward - 4.67 I.D.	4	92-Up	67304A	F8DZ-7B164AC
26D	Steel - Reverse - Flat - .068 - All	4	86-Up	67505	XF1Z-7B442AA
26D	Steel - Reverse - Flat - .059 - All	AR	98-Up	67505A	F80Z-7B442BA
29B	Steel - Direct - .070 - All	4/5	86-Up	67405	E6DZ-7B442A
29B	Steel - Direct - Kolene	4/5	86-Up	67405K	F50Z-7B442C
29C	Steel - Intermediate: - .090 - AXOD - .070 - All - .070 - Kolene - All - .095 - All - .095 - Kolene - All	5 5 5 5 4/5	86-87 88-Up 86-Up 86-Up 97-Up	67305 67405 67405K 67305A 67305AK	E6DZ-7B442B E6DZ-7B442A F50Z-7B442C XF2Z-7B442BA F7DZ-7B442BA
33B	Steel - Forward: - .070 - Small I.D. - AXOD/E - .070 - Kolene - AXOD/E - .069 - Large I.D. - All - .069 - Large I.D. - Kolene - All	3/4 3/4 4 4	86-91 86-91 92-Up 92-Up	67405 67405K 67405A 67405AK	E6DZ-7B442A F50Z-7B442C XF1Z-7B442BA N.L.
CUSHION SPRINGS					
27D	Reverse Cushion Spring - 4 51/64" I.D. - All	1	86-Up	67715	E6DZ-7E085A
31C	Intermediate Cushion Spring: - .067 - 20T - All - .071 - 8T - All	1 1	88-Up 90-Up	67715A 67715C	E8DZ-7E085A F50Z-7E085BA

FORD AXOD/E (AX4S) AX4S-HO OVERDRIVE

ILL.	DESCRIPTION	QTY.	YEAR	PART NO.	REFERENCE NO.
CLUTCH PLATES (cont.)					
CUSHION SPRINGS (cont.)					
N.I. 34B	Intermediate Clutch Spacer - 3.0L - All	1	88-Up	67716	E8DZ-7B437A
	Forward Cushion Spring:				
	- .067 - 20T - All	1	86-91	67715A	E8DZ-7E085A
	- .073 - 20T - All	1	90-91	67715D	F0DZ-7E085A
	- .083 - AXOD-E	1	92-Up	67715E	F2DZ-7E085A
PRESSURE PLATES					
37D 38B	Reverse - .203 Thick - 54T - 4-25/32" I.D. - All	1	86-Up	67714	E6DZ-7B066D
	Direct:				
	- .160 Thick - 34T - All	1	86-Up	67714A	E6DZ-7B066A
	- .130 Thick - 34T - All	1	93-Up	67714H	F5DZ-7B066A
39C	Intermediate:				
	- .200 Thick - 34T - AXOD	1	86-87	67714B	E6DZ-7B066B
	- .120 Thick - 34T - AXOD/E	1	88-Up	67714C	E8DZ-7B066A
40B	Forward:				
	- .280 Thick - 34T - 4-23/32" I.D. - AXOD	1	86-91	67714D	E6DZ-7B066C
	- .280 Thick - 34T - 4-15/16" I.D. - AXOD-E	1	92-Up	67714E	F2DZ-7B066A
	- .170 Thick - 34T - 4-15/16" I.D. - SHO	1	93-Up	67714G	F3DZ-7B066A
FILTERS/FILTER KITS					
Order Filter Kits with 'FK' prefix for Cork & Neoprene, 'FKF' prefix for Fibre.					
N.I.	Filter Kits:				
	- 2nd Design - Cork Type w/Short Bracket - w/67800B Filter - Exc. SHO	1	86-95	FK67800B	N.L.
	- 2nd Design - Cork - w/67800C - SHO AX4S	1	92-95	FK67800C	N.L.
	- Molded Rubber - w/67800D - AX4S	1	96-Up	FK67800D	N.L.
42G	Filter:				
	- 2nd Design - Short Orange Seal - All Exc. SHO	1	86-95	67800B	E6DZ-7A098A
	- 2nd Design - Tall Orange Seal - - SHO	1	92-Up	67800C	F3DP7G186AB
	- Green Seal - AX4S Exc. SHO/95-Up Lincoln	1	96-Up	67800D	F6DZ-7A098A
N.I.	Screen - Bypass Solenoid	1	86-Up	67712	E6DZ-7G308A
N.I.	Screen - Chain Cover - 1-2 Servo	1	89-98	67712A	E9DZ-7H162A
BRAKE BANDS					
Order NEW Brake Bands with 'B' prefix for Borg Warner brand, 'R' prefix for Raybestos brand.					
44E	Low/ Intermediate - Split Type:				
	- AX4S	1	86-95	67320	F4DZ-7D034A
	- AX4S - Relined	1	86-95	67320-RL	E6DZ-7D034A
	- Mercon Required - AX4S	1	95-97	67320A	F48Z-7D034AA
	- Mercon "5" Required - AX4S	1	98-Up	67320B	F8DZ-7D034AA
45A	Overdrive - Flex Type - All	1	86-Up	67520	E6DZ-7F196A
49A	Overdrive Band Anchor Plug - All	1	86-Up	67611	E6DZ-7D430A
METAL CLAD SEALS					
46G	Converter Impeller Hub - All	1	86-Up	67200	E6DZ-7F401A
47G	Differential Axle - Left & Right - All	2	86-Up	67201	E6DZ-1177A
48G	Manual Control Shaft - All	1	86-Up	67202	E6DZ-7F337A
N.I.	Pump Shaft Seal - All	1	86-Up	67203	E6SP-7N089

FORD AXOD/E (AX4S) AX4S-HO OVERDRIVE

ILL.	DESCRIPTION	QTY.	YEAR	PART NO.	REFERENCE NO.
BUSHINGS/BEARINGS					
N.I.	Bushing Kit - Complete:				
	- All (8)	1	86-93	K67901	N.L.
	- w/2nd Design Sun Gear - All (9)	1	93-Up	K67901A	N.L.
N.I.	Converter Hub:				
	- Bronze - All	1	86-Up	67001	E6SP-7N805AB
	- Babbit - All	1	86-Up	67001B	N.L.
51G	Stator Support - All	1	86-Up	51008	N.L.
52D	Front Planet Carrier - Original Type - All	1	86-91	67003	E6SP-7G220AA
	Front Planet Carrier - To Replace Bore Bearing 67003B - Brass - Only OEM Planet	1	91-Up	67003X	N.L.
53C	Sun Gear Shell:				
	- w/Small O.D. - 1.590 - All	2	86-92	67004	E6SP-7F209AA
	- w/Large O.D. - 1.620 - All	1	93-Up	67004A	N.L.
	- To Replace Planet Shaft Bearing 67004B	1	93-Up	67004X	N.L.
54E	Sun Gear Drum:				
	- w/Small - O.D. - 1.980 - All	1	86-Up	67005	E6SP-7D065AA
	- w/Large - O.D. - 2.005 - All	1	93-Up	67005A	N.L.
55E	Sun Gear Drum Support (1 Long Bushing) - All	1	88-Up	67006A	E7DP-7A132AA
56E	Final Drive Sun Gear Assembly - All	1	86-Up	67007	E6SP-7G344AA
57C	Direct Intermediate Clutch Drum - All	1	86-Up	67008	E6SP-7G123AA
58A	Driven Sprocket Support - All	1	86-Up	67009	E6SP-7G170AA
59B	Direct Overrun Clutch Cam:				
	- Narrow - .560 - All Exc. SHO / Windstar 3.8L	1	86-Up	67011	E6SP-7G138AB
	- Wide - .660 - SHO / Windstar 3.8L	1	94-Up	67011A	F3SP-7G138AA
60G	Case - All	1	86-Up	67012	E6SP-7E110AA
61A	Overdrive Drum - All	1	86-Up	67013	E8DP-7G210AA
62D	Rear Planet Carrier - All	1	86-Up	67014	E6SP-7B375A
BEARINGS					
52D	Bore Bearing - Front Planet Carrier	1	91-Up	67003B	N.L.
53C	Shaft Bearing - Front Planet	1	93-Up	67004B	N.L.
103F	Oil Pump Shaft Bearing Assembly - Small O.D. 1.00 - All	1	86-00	67922	N.L.
	Oil Pump Shaft Bearing Assembly - Small O.D. 1.00 - AX4S w/intergral seal	1	01-Up	67922A	N.L.
<p>(8) K67901 contains all required bushings including 67004, 67005. (9) K67901A contains all required bushings including 67004A, 67005A. For wide direct cam models, must purchase 67011A separately.</p>					
SEALING RINGS/RING KITS					
Order Sealing Rings with 'T' suffix for Teflon.					
N.I.	Sealing Ring Kit - All	1	86-Up	K67903	N.L.
63G	Turbine Shaft - Rear 1.003 O.D. - All	1	86-Up	67300	E6DZ-7G090A
64G	Turbine Shaft - Front 1.108 O.D. - All	1	86-Up	67308	E6DZ-7G091A
65G	Front Pump Shaft - Rear - .833 O.D. - Scarf Cut - All	2	86-Up	67309	E6DZ-7G092A
66G	Front Pump Shaft - Front - .693 O.D. - Scarf Cut - All	2	86-Up	67306	E6DZ-7G093A
67F	Pump Slide Ring - Solid - All	1	86-Up	67302	E6DZ-7G281A
68F	Pump Rotor Vane Ring - Solid(not in kit) - All	2	86-Up	67303	E6SP-7G287
69A	Forward & Direct Clutch Cylinder - 2 Forward, 3 Direct - All	5	86-Up	67301	E6DZ-7D019A
N.I.	Governor - AXOD	1	86-Up	67307	E6SP-7G174AB
THRUST WASHERS/NEEDLE BEARINGS					
N.I.	Washer Kit - w/o Selectives - All	1	86-95	K67907	N.L.
N.I.	Washer Kit - w/o Selectives - All	1	96-Up	K67907A	N.L.
70B	Direct Clutch Thrust - 4.181 O.D. x .061 Thick - All	1	86-Up	67210	F2DZ-7F369A

AX4S/AXOD/E

FORD AXOD/E (AX4S) AX4S-HO OVERDRIVE

ILL.	DESCRIPTION	QTY.	YEAR	PART NO.	REFERENCE NO.
THRUST WASHERS/NEEDLE BEARINGS (Cont.)					
71A	Forward Clutch Thrust - 4.330 O.D. - 6 Grooves - All	1	86-Up	67211	E6DZ-7A166A
72A	Driven Sprocket Thrust - 3-7/32" O.D. x .050 Thick - 3 Tabs - All	1	86-Up	67212	E6DZ-7G115A
73A	Driven Sprocket Support Thrust - Rear Selective - Fibre - Small:				
	- .056 - .062 Natural - All	AR	86-Up	67400	E6DZ-7G273A
	- .064 - .070 Green - All	AR	86-Up	67400A	E6DZ-7G273B
	- .076 - .080 Blue - All	AR	86-Up	67400B	E6DZ-7G273C
	- .085 - .089 Red - All	AR	86-Up	67400C	E6DZ-7G273D
74A	Driven Sprocket Support Thrust - Front Selective - Plastic - Large:				
	- .088 Green - All	AR	86-Up	67409	E6DZ-7D014A
	- .098 Black - All	AR	86-Up	67409A	E6DZ-7D014B
	- .107 Natural - All	AR	86-Up	67409B	E6DZ-7D014C
	- .117 Red - All	AR	86-Up	67409C	E6DZ-7D014D
75F/G	Drive Sprocket Thrust - Front & Rear:				
	- 2-47/64" O.D. - 9 Oil Grooves - All	2	86-95	67213	E6DZ-7G099A
	- 2-47/64" O.D. - 9 Oil Grooves - All	2	96-Up	67213A	F5DZ-7G099A
76F	Chain Cover Thrust:				
	- 3" O.D. - 3 Tabs - 6 Oil Grooves - All	1	86-95	67214	E6DZ-7G096A
	- 3" O.D. - 3 Tabs - 6 Oil Grooves - Plastic - All	1	96-Up	67214A	F5DZ-7G096A
N.I.	Washer Kit - (Use w/SPS112A, See Index) - Front Or Rear Planet Assembly	1	-	QWK2320	N.L.
BEARINGS					
N.I.	Bearing Kit - All Exc. SHO (Contains Most SHO Bearings)	1	86-Up	K67906	N.L.
80E	Differential Carrier/Case Bearing & Race Assembly - All	1	86-Up	67220	E6DZ-7G112A
81E	Final Drive - Carrier/Sun Gear - All	1	86-Up	67221	E6DZ-7F404A
82E	Park/Final Drive Support - All	1	86-Up	67222	E6DZ-7F405A
83C	Intermediate Clutch Hub - Front & Rear Bearing & Race Assembly - All	2	86-Up	67224	E6DZ-7C096A
84E	Rear Sun Gear Bearing & Race Assembly - Rear - 3 Piece Design - All	1	86-Up	36444C	E6DZ-7G178A
85A	Direct Clutch Hub Bearing & Race Assembly - All	1	86-Up	67225	E6DZ-7F240A
86D	Front/Rear Planet - 2-39/64" O.D. - All	1	86-Up	67226	E6DZ-7G177A
87G	Governor Bearing & Race Assembly - 1.068" O.D. - All	1	86-Up	51466A	E6DZ-7G173A
N.I.	Front Planet - Captured- All	1	86-Up	67228	N.L.
N.I.	Rear Planet - Captured - All	1	86-Up	67229	N.L.
SHIMS					
77E	Differential Carrier Thrust - Selective:				
	- .049 Red - All	AR	86-Up	67401	F2DZ-7G103A
	- .053 Green - All	AR	86-Up	67401A	F2DZ-7G103B
	- .057 Blue - All	AR	86-Up	67401B	F2DZ-7G103C
	- .061 Black - All	AR	86-Up	67401C	F2DZ-7G103D
	- .065 White - All	AR	86-Up	67401D	F2DZ-7G103E
	- .072 Gold - All	AR	86-Up	67401F	F2DZ-7G103G

HARD PARTS

Hard Parts may only require the base number for OEM/Aftermarket New. A "N" suffix may also be required or a "-R" suffix for remanufactured. Exceptions are listed individually.
NOTE: A separate column is provided to indicate a primary or specific brand/type.

ILL.	DESCRIPTION	BRAND	QTY.	YEAR	PART NO.	REFERENCE NO.
98F	Pump Cover - All		1	86-Up	67924	N.L.
99F	Rotor		1	86-Up	67802	N.L.
	Slide		1	86-Up	67803	N.L.
	Rotor / Slide / Vane Kit		1	86-Up	K67801	N.L.
	Pump Vane Kit - All		1	86-Up	K67805	N.L.

FORD AXOD/E (AX4S) AX4S-HO OVERDRIVE

ILL.	DESCRIPTION	BRAND	QTY.	YEAR	PART NO.	REFERENCE NO.
HARD PARTS (Cont.)						
100F	Front Pump Assembly:					
	- 1986 Only AXOD	R	1	86	67920	N.L.
	- 1987 Only AXOD	R	1	87	67920A	N.L.
	- 9 Ball - 3.0L Engine - AXOD	R	1	88-90	67920B	N.L.
	- 10 Ball - 3.8L Engine - AXOD	R	1	88-90	67920C	N.L.
	- Taurus - AXOD-E	R	1	91	67920D	N.L.
	- Lincoln - AXOD-E	R	1	91-99	67920E	E8DZ-7A103B
	- Taurus - AXOD-E	R	1	92-99	67920F	N.L.
101G	Oil Pump Drive Shaft Assembly - 17-18 Spline - All		1	86-Up	67921	2F2Z-7B328AA
	Oil Pump Drive Shaft Assembly - 17-18 Spline (OEM) - All		1	86-Up	67921F	2F2Z-7B328AA
102F	Drive Chain Assembly:					
	- 3/4" Wide - 43 Links - Round Pin		1	86-Up	67973	E6DZ-7G249A
	- 7/8" Wide - 43 Links - Round Pin		1	86-88	67973A	E8DZ-7G249A
	- 3/4" Wide - 43 Links - Rocker Pin		1	93-Up	67973B	4F1Z-7G249AA
	- 3/4" Wide - 44 Links - Round Pin - Windstar 3.8L		1	95-Up	67973D	F68Z-7G249A
103F	Oil Pump Shaft Bearing Assembly - Small O.D. 1.00 - All		1	86-00	67922	N.L.
	Oil Pump Shaft Bearing Assembly - Small O.D. 1.00 - AX4S w/intergral seal		1	01-Up	67922A	N.L.
104G	Drive Sprocket Bearing - Caged - All		1	86-Up	67979	E6DZ-7G233A
107G	Converter Stator Support:- 1st Design - All (replaced by 67976A/67213A)	R	1	86-95	67976	E6DZ-7A108A
	Converter Stator Support:- 2nd Design - All (Use w/2nd Design Washer)		1	86-Up	67976A	F6DZ-7A108AA
109A	Driven Sprocket Bearing Assembly - Caged 2-5/8" O.D. x 3/4" - All		1	86-Up	67978	E6DZ-7G247A
110D	Planetary Package:- 6 Lug Shell - All		1	86-94	K67960	N.L.
	Planetary Package:- 36 Lug Shell - All		1	93-Up	K67960B	N.L.
	Planetary - Front:- 1st Design - w/o O.D. Bearing	R	1	86-93	67950	F1DZ-7A398A
	Planetary - Front:- All (Use w/67948A To Retro To '86)		1	94-Up	67950A	F5DZ-7A398BA
111D	Planet Assembly - Rear:					
	- All - 33 Spline		1	86-01	67951	F5DZ-7D006BA
	- All - 45 Spline		1	01-Up	67951D	1F1Z-7D006AB
	All - 45 Spline - w/ Final Drive Sun Gear		1	86-Up	K67951D	1F1Z-7D006BA
112D	Rear Ring Gear - All		1	86-Up	67952	E6DZ-7A153A
113E	Rear Sun Gear & Drum Assembly: - All		1	86-Up	67955	F6DZ-7A626AA
114E	Rear Planet Support: - All		1	86-92	67965	E6DZ-7A130A
	Rear Planet Support: - AXOD-E		1	93-Up	67965A	XF2Z-7A130AA
114E	Planet Support Kit - AXOD-E (11)		1	91-Up	K67965A	N.L.
115E	Final Drive Sun Gear Assembly:					
	- 30T - 33 Spline - All	R	1	86-01	67970	F3DZ-7F342B
	- 30T - 45 Spline - All (Mid 01)		1	01	67970A	1F1Z-7F342BA
	- 29T - 45 Spline - All		1	01-Up	67970C	N.L.
116E	Final Drive Planet & Carrier Assembly - All	R	1	86-01	67980	1F1Z-7F465BA
117E	Final Drive Ring Gear - 17 External Lugs - All	R	1	86-01	67985	F4DZ-7F343A
118A	Overdrive Drum w/Sprag:- Small Race - 6 Lug - AXOD	R	1	86-91	67945	E6DZ-7L669A
	Overdrive Drum w/Sprag:- Large Race - 6 Lug - AXOD-E	R	1	92-95	67945A	N.L.
	Overdrive Drum - 36 Lug - All		1	93-Up	67945B	F5DZ-7L669BA
	Overdrive Drum Assembly:- w/Shell & Narrow Direct Cam (12)	R	1	86-Up	K67945	F5DZ-7L669A
	Overdrive Drum Assembly:- w/Shell & Wide Direct Cam	R	1	95-Up	K67945B	F5DZ-7L669C
119A	Sprag - Low Clutch -26 Sprags - .594 Wide - All		1	86-Up	67930	E6DZ-7A089A
120A	Low Clutch Sprag Race		1	92-Up	67931A	F3DZ-7D171AB

(11) Contains 2nd Design support and 2nd Design crossover tube, 67988A. Must purchase 67989 separately for non-crossover AXOD-E.

(12) Components are of the 36 drive lug design. Must be used in sets. K67945 will retro to 1986 and has a narrow direct cam. Wide direct cam models use K67945B.

FORD AXOD/E (AX4S) AX4S-HO OVERDRIVE

ILL.	DESCRIPTION	BRAND	QTY.	YEAR	PART NO.	REFERENCE NO.
HARD PARTS (Cont.)						
121B	Forward Clutch Piston:					
	- Steel - Tall - 1.040" Height - AX4S		1	86-Up	67946S	F4DZ-7A262A
	- Steel - Short - .890" Height - AX4S SHO		1	93-95	67946B	F4DZ-7A262B
	- Bonded Rubber - Short - .825" Height - All		1	96-97	67946R	F8DZ-7A262AB
	- Bonded Rubber - Tall - .980" Height - All		1	98-Up	67946E	F88Z-7A262AA
122B	Roller - Direct Clutch - Blue Plastic - .500 Wide		1	86-Up	67940	F3DZ-7A089CA
122B	Roller - Direct Clutch - Gray Plastic - .590 Wide		1	93-Up	67940A	F3DZ-7A089B
123B	Cam - Direct Roller Clutch - 6 Lug; - Narrow Design	R	1	86-94	67941	N.L.
	Cam - Direct Roller Clutch - 36 Lug; - Narrow Design		1	95-Up	67941A	F5DZ-7G156C
	Cam - Direct Roller Clutch - 36 Lug; - Wide Design		1	93-Up	67941B	F5DZ-7G156A
124B	Direct Overrun Clutch Outer Race:- 54T - 9 Oil Holes - Narrow		1	86-Up	67942	E6DZ-7D171B
124B	Direct Overrun Clutch Outer Race:- 54T - 9 Oil Holes - Wide		1	93-Up	67942B	F5DZ-7D171A
125C	Direct Clutch Piston: - Aluminum - w/o Piston Ring - All		1	86-Up	67947	E6DZ-7A262A
	Direct Clutch Piston: - Bonded - w/o Piston Ring - All		1	94-Up	67526	F4DZ-7A262BA
	Direct Clutch Piston Ring - (For Bonded Direct Piston)		1	94-Up	67526-1	F4DP-7G448AA
126C	Intermediate Clutch - Piston: - Steel - All		1	86-Up	67953	E6DZ-7E005A
126C	Intermediate Clutch - Piston: - Bonded - w/o Bonded Retainer - All		1	93-Up	67530	F88Z-7E005AA
127C	Intermediate Clutch - Piston Retainer - Bonded - All		1	93-Up	67531	F4DZ-7H185A
130G	Overdrive Servo Piston & Seal Assembly - Slip Fit - All		1	86-97	67528	F3DZ-7F200A
	Overdrive Servo Piston & Seal Assembly - Press Fit - All		1	98-Up	67528B	F88Z-7F200AA
	Overdrive Servo - Complete - All	R	1	86-97	K67528	N.L.
	Overdrive Servo - Complete - All	R	1	98-Up	K67528C	N.L.
131G	Overdrive Servo Rod - Selective:					
	- No Groove - Slip Fit - All		AR	86-97	67949	E6DZ-7F203A
	- 1 Groove - Slip Fit - All		AR	86-97	67949A	E6DZ-7F203B
	- 2 Groove - Slip Fit - All		AR	86-97	67949B	E6DZ-7F203C
	- w/ Piston - No Groove		AR	98-Up	67949E	F88Z-7H188AA
	- w/Piston - 1 Groove		AR	98-Up	67949F	F88Z-7H188BA
	- w/Piston - 2 Groove		AR	98-Up	67949G	F88Z-7H188CA
131G	Extendo Pins - Overdrive - All		1	86-Up	67875	N.L.
132G	Extendo Pins - Low/Intermediate - All		1	86-Up	67875A	N.L.
132G	Low/Intermediate Servo Rod - Selective:					
	- No Groove - All		AR	86-Up	67959	E6DZ-7D190A
	- 1 Groove - All		AR	86-Up	67959A	E6DZ-7D190B
	- 2 Grooves - All		AR	86-Up	67959B	E6DZ-7D190C
	- 3 Grooves - All		AR	86-Up	67959C	E6DZ-7D190D
	- 4 Grooves - All		AR	86-Up	67959D	E6DZ-7D170E
132G	Pin - Low/Intermediate Servo - Large - AXOD/E		1	86-Up	67959S	N.L.
133G	Governor Assembly - AXOD	R	1	86-Up	67615	E6DZ-7C053A
133G	Speedo Drive - AX4S		1	91-Up	67615C	F68Z-7G176AA
134G	Speedo Drive Gear - 7T - AXOD/E		1	86-Up	67650	E6SP-17285
138G	Low Servo Piston - All		1	86-Up	67986	N.L.
138G	Low/Intermediate Servo - Complete - All	R	1	86-Up	K67986	N.L.
139E	Governor Gear: - Drive - Yellow Plastic - All		1	86-Up	67981	E7DZ-7G237A
143G	Spring - Low Servo - All		1	86-Up	67707S	N.L.
148A	Reluctor Driven Sprocket: - AX4S		1	91-Up	67992	F1DZ-7H150A
150A	Driven Sprocket Support - AXOD/E		1	86-Up	67977	E6DZ-7G166A
152A/G	Drive/Driven Sprocket w/Turbine:					
	- 37T-36T - Wide - AXOD	R	1	86-87	K67984	N.L.
	- 37T-36T - Narrow - AXOD	R	1	86-90	K67984A	N.L.
	- 38T-35T - Narrow - AXOD	R	1	88-90	K67984B	N.L.
	- 38T-35T - 23 Spline - Round Pin - AXOD-E	R	1	91-93	K67984C	N.L.
	- 35T-38T - 23 Spline - Round Pin - AXODE, SHO	R	1	93	K67984E	N.L.
	- 38T-35T - 25 Spline - Rocker Pin - AXOD-E	R	1	94-Up	K67984D	N.L.
	- 35T-38T - 25 Spline - Rocker Pin - AXOD-E, SHO	R	1	94-Up	K67984F	N.L.
	- 34T-39T - Round Pin - All	R	1	95-Up	K67984H	N.L.

FORD AXOD/E (AX4S) AX4S-HO OVERDRIVE

ILL.	DESCRIPTION	BRAND	QTY.	YEAR	PART NO.	REFERENCE NO.
HARD PARTS (Cont.)						
154C	Direct/Intermediate Drum: - Steel Piston Design - 13mm Spline - 3.0/3.8L - AXOD/E		1	86-E96	67963	F6DZ-7G120A
	- Bonded Piston Design - 10mm Spline - SHO		1	93-95	67963A	F3DZ-7G120A
	- Bonded Piston Design - 10mm Spline - 3.8L - AX4S		1	L96-Up	67963B	F5DZ-7G120A
	- Steel Piston Design - 10mm Spline - 3.0L - AX4S		1	L96-97	67963C	F6DZ-7G120BA
	- Steel Piston Design - 10mm Spline - 3.0L - AX4S		1	98-Up	67963D	1F1Z-7G120BA
155E	Final Drive Package w/Sun & Ring:- AXOD/E (30T Sun)	R	1	86-01	K67980	N.L.
	Final Drive Package w/Sun & Ring:- AXOD/E (29T Sun - Update)		1	86-01	K67980A	2F2Z-4207DA
157D	Reverse Drum (w/Piston Reman only)	R	1	86-Up	67962	E60Z-7F341A
158B	Forward Drum: - 13mm Spline - All Exc. SHO		1	86-E96	67964	E6DZ-7A360A
	- 10mm Spline - SHO	R	1	93-95	67964C	F3DZ-7A360A
	- 10mm Spline - 3.0L - AX4S		1	L96-Up	67964A	F6DZ-7A360BA
	- 10mm Spline - 3.8L - AX4S		1	L96-Up	67964E	F5DZ-7A360A
160C	Shell - Sun Gear: - 1st Design - 2 Bushings - 6 Lug - AXOD	R	1	86-91	67948	E6DZ-7D064A
	- 6 Lug - All		1	86-94	67948A	F4DZ-7D064BA
	- 36 Lug - All		1	93-Up	67948B	F5DZ-7D064A
161F	Valve Body Cover - AXOD/E	R	1	86-95	67998	N.L.
163F	Valve Body - Complete: - AXOD - 1986 Only	R	1	86	67990	N.L.
	- AXOD - 1987 Only	R	1	87	67990A	N.L.
	- AXOD - 9 Ball - 3.0L	R	1	88-90	67990B	N.L.
	- AXOD - 10 Ball - 3.8L	R	1	88-90	67990C	N.L.
	- AXOD-E - Taurus	R	1	91	67990D	N.L.
	- AXOD-E - Lincoln	R	1	91-99	67990E	N.L.
	- AXOD-E - Taurus	R	1	92-99	67990F	N.L.
165C	Intermediate Hub: - Medium - .970 Spline - All		1	86-Up	67944	E6DZ-7B067A
	- Short - .900 Spline - All		1	88-Up	67944A	E8DZ-7B067A
	- Long - 1.100 Spline - All		1	93-Up	67944B	1F1Z-7B067AA
170E	Park Gear - All	R	1	86-Up	67969	N.L.
175G	Oil Pan: - All	R	1	86-95	67999	N.L.
	Oil Pan: - SHO	R	1	93-95	67999A	N.L.
	Oil Pan: - All	R	1	96-Up	67999B	N.L.
177E	Axle Shaft:- 18" Long - All	R	1	86-Up	67993	N.L.
180G	Lube Tube- Crossover: - 1st Design - AXOD-E		1	91-92	67988	F2DZ-7G084A
	- 2nd Design - AXOD-E		1	93-99	67988A	F3DZ-7G084A
	- 3rd Design - Single Tube Design - AXOD-E		1	99-Up	67988B	1F1Z-7G084AA
182G	Lube Tube - Differential & Speedo		1	91-Up	67989	F2DZ-7G086A
200G	Case: - AXOD/E	R	1	86-Up	67997	N.L.
205F	Case Cover: - AXOD - 1986 Only	R	1	86	67995	N.L.
	- AXOD - 1987 Only	R	1	87	67995A	N.L.
	- AXOD	R	1	88-90	67995B	N.L.
	- AXOD-E - 2 Conn	R	1	91-92	67995D	N.L.
	- AXOD-E - 1 Conn	R	1	93-99	67995F	N.L.
	- AXOD-E - 1 Conn	R	1	00-Up	67995G	N.L.
N.I.	Accumulator Piston Pin		3	86-Up	67876	E6DZ-7G094A
N.I.	Accumulator Spring Kit: - Complete - All		1	86-Up	K67704	N.L.
	- 1-2 - All		1	86-Up	K67705	N.L.
	- 3-4 - All		1	86-Up	K67706	N.L.

AX4S/AXOD/E

FORD AXOD/E (AX4S) AX4S-HO OVERDRIVE

ILL.	DESCRIPTION	BRAND	QTY.	YEAR	PART NO.	REFERENCE NO.
HARD PARTS (Cont.)						
N.I.	Accumulator Spring:					
	- 1-2 - Large Yellow - All		1	86-Up	67705	E6DZ-7G267A
	- 1-2 - Large Brown - All		1	88-Up	67705A	E8DZ-7G267A
	- 1-2- Medium - Brown, Purple, Pink - All		1	88-Up	67705B	E8DZ-7G358A
	- 1-2 - Medium Yellow - All		1	86-Up	67705C	E6DZ-7G326A
	- 1-2- Small Brown or Purple - All		1	88-Up	67705D	E8DZ-7G326A
	- 3-4 - Large Green - All		1	86-Up	67706	E6DZ-7G266A
	- 3-4 - Large White - All		1	89-Up	67706A	F8DZ-7G266AA
	- 3-4 - Small - Green - All		1	86-Up	67706B	E6DZ-7F288A
	- Neutral Drive - Large - Orange - All		1	86-Up	67707	E6DZ-7G300A
	- Neutral Drive - Small - Blue - All		1	86-Up	67707A	E6DZ-7G301A
N.I.	Lube Dam Kit - All		1	86-Up	K67836	KAXOD-L
N.I.	Lube Sleeve - Planet - Aluminum - All		1	86-Up	67910	N.L.
N.I.	Servo Piston "E" Clips - Overdrive - AXOD/E		1	86-97	67957	97413-S
N.I.	Servo Piston "E" Clips - Low/Intermediate - AXOD/E		1	86-Up	67958	N804195-S2
N.I.	Servo Split Clip - Low/Intermediate - (Replaces OE "E" Clips)		1	86-Up	67958S	N804195-S2
N.I.	Retaining Ring - Rear Ring Gear - AXOD/E		1	86-Up	67954S	N.L.
N.I.	Sleeve - w/Piston - Accumulator:					
	- 1-2 Accumulator		1	86-Up	K67877	N.L.
	- 3-4 Accumulator		1	86-Up	K67877A	N.L.
	- N/D Accumulator		1	86-Up	K67877B	N.L.
N.I.	Bracket - Servo Tube - AXOD/E		1	86-Up	67987	N.L.
VALVE BODY COMPONENTS						
N.I.	Valve Spring - 1-2 Capacity - AXOD		1	86-Up	K67975	N.L.
N.I.	Valve/Spring Retainer:					
	- 3/2 - AX4S		1	91-Up	67961	F1DZ-7F194A
	- Flat- Various - AX4S		1	91-Up	67961E	N.L.
	- Double Loop - Various - AX4S		1	91-Up	67961F	N.L.
	- Single Loop - Various - AX4S		1	91-Up	67961G	N.L.
N.I.	Valve Body to Pump Shaft Sleeve - All		1	86-Up	67641	N.L.
N.I.	Boost Valve/Sleeve - .491 - AXOD/E		1	86-Up	K67971	N.L.
N.I.	Boost Valve/Sleeve - .475 - AXOD/E		1	86-Up	K67971B	N.L.
N.I.	Valve - w/Sleeve: - Converter Clutch - Bypass - AXOD		1	86-Up	K67967B	N.L.
N.I.	Valve - w/Sleeve: - Converter Clutch - Bypass - AXOD-E		1	91-Up	K67967	N.L.
N.I.	Forward Clutch Valve - AX4S (Use Reamer T-9126)		1	91-Up	K67979A	N.L.
N.I.	Manual Control Valve - AXOD/E		1	86-Up	67972	N.L.
ELECTRICAL PRODUCTS						
140F	Solenoid:					
	- Bypass (L/U) Clutch - AXOD		1	86-Up	5A-250	E6DZ-7G136A
	- Bypass (L/U) Clutch - Universal - Rostra - AXOD		1	86-Up	5R-257	E6DZ-7G136A
	- Bypass (L/U) Clutch - Universal - Teckpak - AXOD		1	86-Up	5T-257	E6DZ-7G136A
	- L/U - Models E, ME - Square On/Off Type - AXOD-E		1	91	5A-257	F1DZ-7G136A
	- L/U - Models E, ME - Universal - Rostra - AXOD-E		1	91	5R-257	F1DZ-7G136A
	- L/U - Models E, ME - Universal - Teckpak		1	91	5T-257	F1DZ-7G136A
	- L/U - Round PWM - White Connector - All Exc. 91 E/ME - Low Ohms		1	91-97	5A-257A	F3DZ-7G136A
	- L/U - Round PWM - White Connector - All Exc. 91 E/ME - Rostra		1	91-97	5R-257A	F3DZ-7G136A
	- L/U - Round PWM - White Connector - All Exc. 91 E/ME - Teckpak		1	91-97	5T-257A	F3DZ-7G136A
	- L/U - Round PWM - Blue Connector - High Ohms		1	97-Up	5A-257B	F7OZ-7G136AA
141F	Solenoid - Pressure Control - AXOD-E		1	91-Up	5A-258	F6DZ-7G383BB

FORD AXOD/E (AX4S) AX4S-HO OVERDRIVE

ILL.	DESCRIPTION	QTY.	YEAR	PART NO.	REFERENCE NO.
ELECTRICAL PRODUCTS					
142F	Solenoid - Shift:				
	- All	3	91-Up	5A-259	F6DZ-7G484BB
	- All - Rostra	3	91-Up	5R-259	F6DZ-7G484BB
	- All - Teckpak	3	91-Up	5T-259	F6DZ-7G484BB
N.I.	Switch - Manual Lever Position:				
	- AXOD - 6 Pin - (From 11/87)	1	88-Up	15A-125	E8DZ-7A247A
	- AXOD-E - 8 Pin - Update Package (6 Pin to 8 Pin)	1	91-92	15A-126	F2DZ-7A247A
	- AXOD-E - 8 Pin - (95-98 Windstar)	1	93-97	15A-127	F5DZ-7F293BA
	- AXOD-E - 10 Pin - (99-Up Windstar)	1	98-02	15A-128A	F8DZ-7F293AB
N.I.	Switches:				
	- 4/3 Converter By-Pass Oil Pressure - AXOD	2	86-Up	15A-243	E6DZ-7E440A
	- Oil Pressure - All	1	86-Up	15A-244	E6DZ-7E440B
N.I.	Sensors:				
	- Transmission Oil Temperature (TOT) - All	1	91-Up	20A-104	F1DZ-7H141A
	- Turbine Speed - All	1	91-Up	20A-105	F1DZ-7M101A
N.I.	Sensors - VSS - Cable/Non-Cable Design:				
	- (Speedo) - w/Cable - AXOD	1	86-90	20A-412	E9TZ-9E731A
	- (Speedo) - w/o Cable - AXOD	1	86-90	20A-412A	E9LZ-9E731A
	- (Speedo) - w/Cable - AX4S	1	91-98	20A-412	E9TZ-9E731A
	- (Speedo) - w/o Cable - AX4S	1	94-98	20A-412A	E9LZ-9E731A
	- (Output) - AX4S	1	99-Up	20A-109	XF2Z-7H103AA
225F	Case Connector w/Wires:				
	- 3.0L Engine - AXOD	1	86-90	25A-110	E6DZ-7G276A
	- 3.8L Engine - AXOD	1	88-90	25A-109	E8DZ-7G276A
225F	Case Connector - Side Mount - AXOD-E	1	91-92	25A-113	F1DZ-7G276A
226F	Case Connector:				
	- Top Mount - AXOD-E	1	91-92	25A-113A	F1DZ-7G276B
	- Side/Top Replacement - All	1	93-Up	25A-113C	F5DZ-7G276B
N.I.	Wiring Harness - External Repair:				
	- Case Connector - AXOD	1	86-90	35A-251	F2PZ-14A464F
	- Top Connector - AXOD-E	1	91-92	35A-252	F2PZ-14A464D
	- Side Connector - AXOD-E	1	91-92	35A-253	F2PZ-14A464E
	- Top Connector - AXOD-E	1	93-Up	35A-254	F2PZ-14A464G
	- Speed Sensor - AXOD-E	1	91-Up	35A-255	F2PZ-14A464A
	- Two Connector To Single Connector Update	1	91-Up	35A-256	F1DZ-7Z432A
MISCELLANEOUS PRODUCTS					
N.I.	Oil Tube Connector - 1/4" - 18 Male Quick-Connect - All	2	86-Up	96-208	E6VY-7D273A
N.I.	Intermediate Clutch Balance Piston Lip Seal Protector	1	-	T-1660	N.L.
N.I.	Reverse Piston Lip Seal Protector	1	-	T-1662	N.L.
N.I.	Lip Seal Installer/Protector Kit	1	-	T-2400	N.L.
N.I.	Front Clutch Loading Tool	1	-	T-2402	N.L.
N.I.	Low/Intermediate Servo Rod Tool	1	-	T-2403	N.L.
N.I.	Valve & Pump Shaft Body Guide Pins (Prevents Misalignment of Oil Pump and V.B.)	1	-	T-2407	N.L.
N.I.	Oil Pipe Seal Installer	1	-	T-2433	N.L.
N.I.	Reverse Drum & Planetary Gears Remover/Installer	1	-	T-2470	N.L.
N.I.	Valve Body Cover Pump Driveshaft-Bore Repair Tool	1	-	T-2495	N.L.
N.I.	Technical Manual - AXOD	1	-	67Y01	N.L.
N.I.	Technical Manual - AXOD Update	1	-	67Y02	N.L.
N.I.	Technical Manual - AXOD-E	1	-	67Y03	N.L.
N.I.	Reamer for K67979A	1	91-Up	T-9126	N.L.

AX4S/AXOD/E