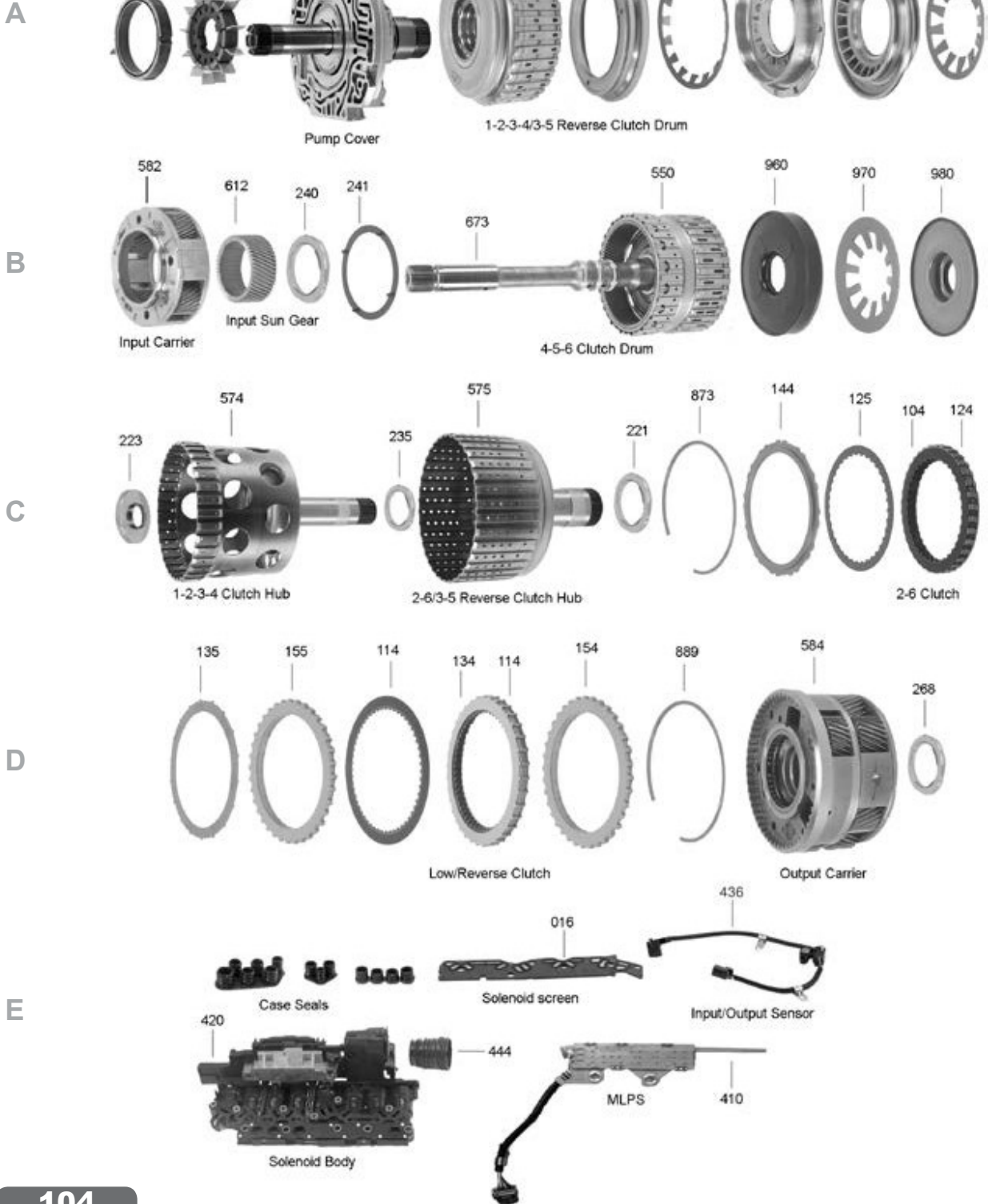
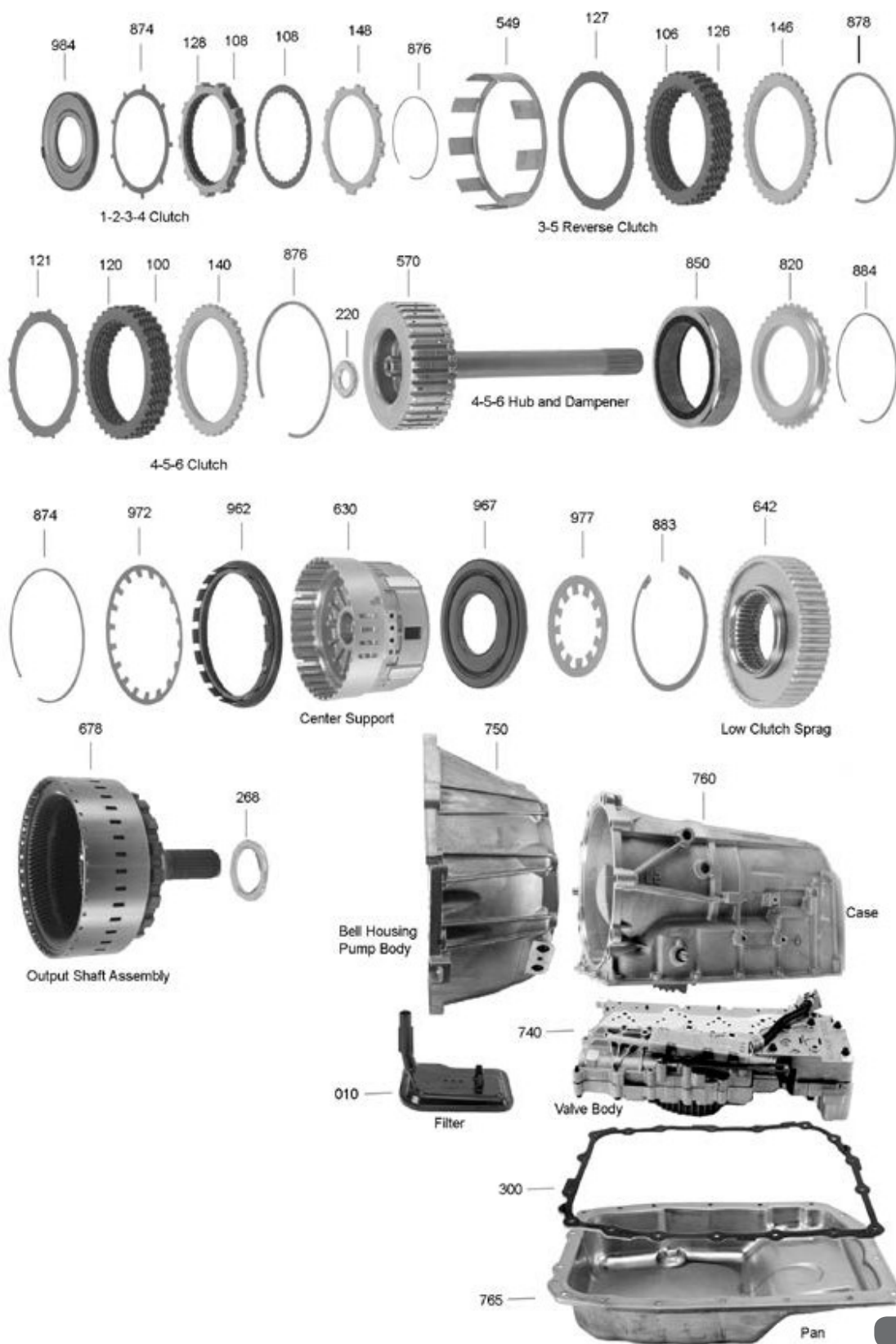


6L45, 6L50, 6L80, 6L90



6L45, 6L50, 6L80, 6L90



F

G

H

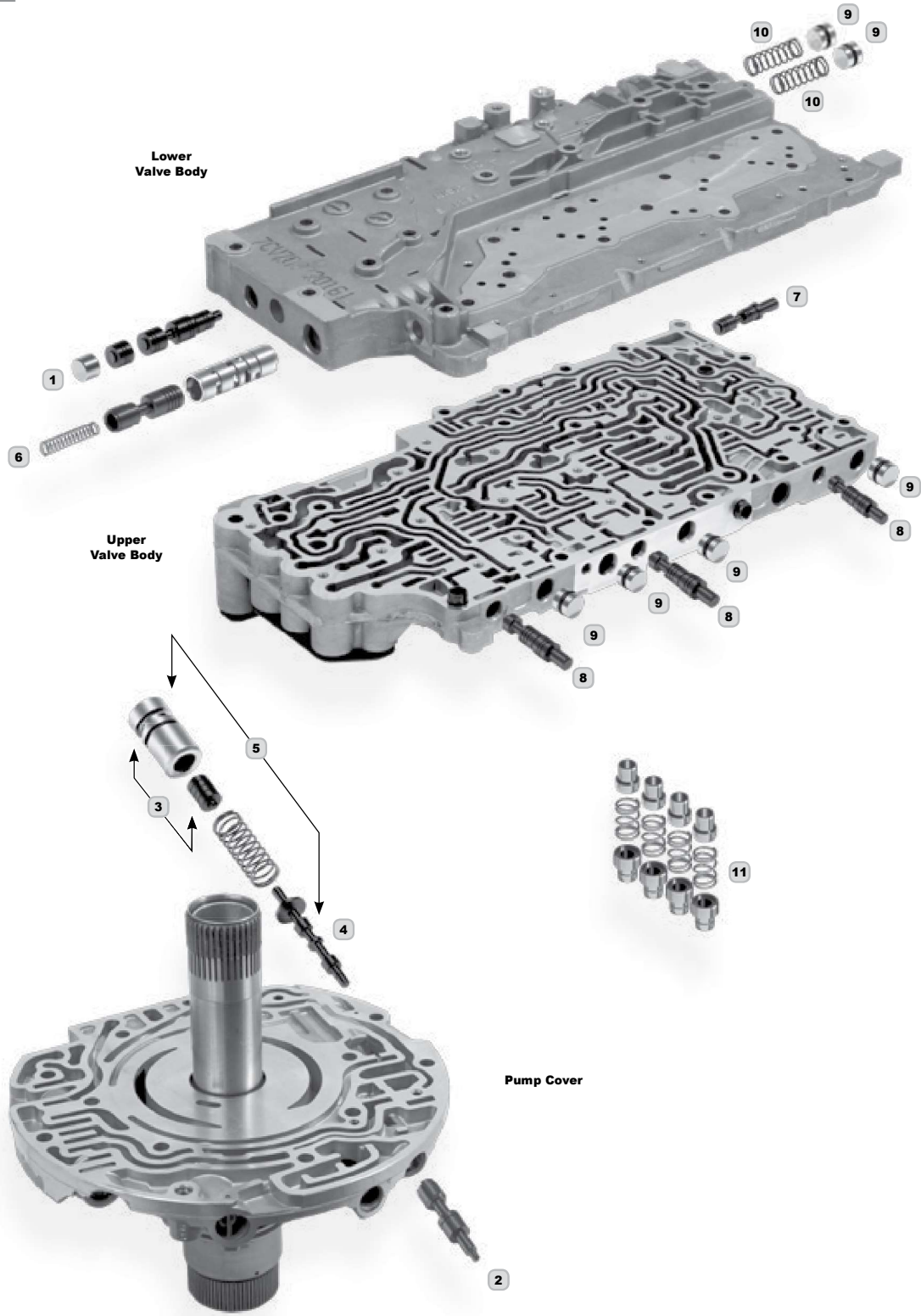
I

J



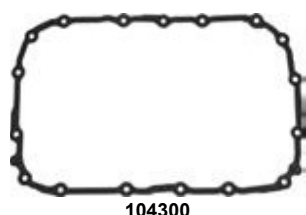
6L45, 6L50, 6L80, 6L90

VALVE BODY GUIDE

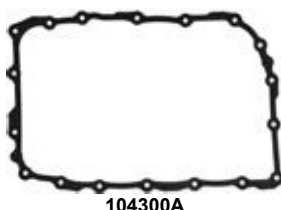


GM

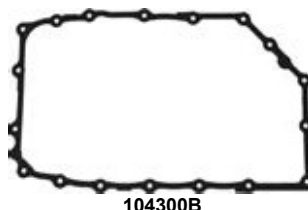
6L45, 6L50, 6L80, 6L90



104300



104300A



104300B



104010A

ILL.		QTY.	YEAR	PART No.	REF. No.
MASTER OVERHAUL KITS (WITH STEELS)					
006	6L50 (w/ Pistons*).....	1	07-Up	104006P	N.L.
006	6L80 (w/ Pistons*).....	1	06-Up	104006AP	N.L.
006	6L90 (w/ Pistons*).....	1	07-Up	104006BP	N.L.
	(*) For Kits w/out Pistons, replace the P with an N - for example 104004N.....				
LESS STEEL KITS					
004	6L50 (w/ Pistons*).....	1	07-Up	104004P	N.L.
004	6L80 (w/ Pistons*).....	1	06-Up	104004AP	N.L.
004	6L90 (w/ Pistons*).....	1	07-Up	104004BP	N.L.
	(*) For Kits w/out Pistons, replace the P with an N - for example 104004N.....				
OVERHAUL KITS (W/ RINGS & SEALS)					
002	6L45, 6L50 (w/out Pistons**).....	1	07-Up	104002N	N.L.
002	6L80 (w/out Pistons**).....	1	06-Up	104002AN	N.L.
002	6L90 (w/out Pistons**).....	1	07-Up	104002BN	N.L.
	(**) For Kits w/ Pistons, replace the N with a P - for example 104002P.....				
FILTERS					
010J	6L45.....	1	06-Up	104010	N.L.
010J	6L50 (6.320" Tall, 1.300" Tall Spacer).....	1	06-Up	104010A	24236933
010J	6L50 (6.320" Tall, 1.000" Tall Spacer).....	1	10-Up	104010C	24251707
010J	6L80, 6L90 (Exc 08-09 Pontiac G8) (6.320" Tall).....	1	06-Up	104010A	24236933
010J	6L80 (Pontiac G8) (5.760" Tall).....	1	08-09	104010B	24236932
016E	Solenoid Screen.....	1	06-Up	104016	N.L.
BUSHINGS					
030	Bushing Kit (6L45, 6L50).....	1	07-Up	104030	N.L.
030	Bushing Kit (6L80, 6L90) (Ext. Housing Bushing Not Included).....	1	06-Up	104030A	N.L.
034	Bell Housing (Pump Body).....	1	06-Up	104034	N.L.
036	Stator Shaft Bushing (Front) (6L80, 6L90).....	1	06-Up	104036A	N.L.
037	Stator Shaft Bushing (Rear) (6L80, 6L90).....	1	06-Up	104037A	N.L.
038	4-5-6 Clutch Drum (Rear).....	1	06-Up	104038	N.L.
043	2-6 & Low/ Reverse Support (Front) (6L80, 6L90).....	1	06-Up	104043A	N.L.
044	2-6 & Low/ Reverse Support (Rear) (6L80, 6L90).....	1	06-Up	104044A	N.L.
048	1-2-3-4 & 3-5 Reverse Drum (Rear).....	1	06-Up	104048	N.L.
054	3-5 Reverse, 2-6 Clutch Hub (Front) (Smooth) (6L80).....	1	06-Up	104054A	N.L.
057	3-5 Reverse & 2-6 Clutch Hub (Rear) (6L80, 6L90).....	1	06-Up	104057A	N.L.
062	Output Shaft (6L80, 6L90).....	1	06-Up	104062A	N.L.
064	Case (Rear) (6L80, 6L90).....	1	06-Up	104064A	N.L.
066	Extension Housing (6L80) (2wd).....	1	06-Up	104066A	N.L.
066	Extension Housing (6L90) (4wd).....	1	06-Up	104066B	N.L.
METAL CLAD SEALS					
N.I.	Front Pump.....	1	06-Up	104070	24237531
N.I.	Manual Lever.....	1	06-Up	44072	N.L.
N.I.	Rear (2wd) (6L45, 6L50).....	1	07-Up	104074C	24228876
N.I.	Rear (2wd) (6L80).....	1	06-Up	104074	24233898
N.I.	Rear (2wd) (6L90).....	1	07-Up	104074B	N.L.
N.I.	Adaptor Housing (4wd) (6L80, 6L90).....	1	06-Up	104074A	24238076
FRICITION PLATES					
100G	4-5-6 (One Sided Internal Teeth) (6L45, 6L50).....	5	07-Up	104100A	N.L.
120G	4-5-6 (One Sided External Teeth) (6L45, 6L50).....	5	07-Up	104120A	N.L.
100G	4-5-6 (6L80, 6L90).....	6-7	06-Up	104100	2424158



6L45, 6L50, 6L80, 6L90

ILL.		QTY.	YEAR	PART No.	REF. No.
FRICTION PLATES (Cont.)					
104C	2-6 (One Sided Internal Teeth) (6L45, 6L50).....	5	07-Up	104104A	N.L.
124C	2-6 (One Sided External Teeth) (6L45, 6L50).....	5	07-Up	104124A	N.L.
104C	2-6 (6L80, 6L90).....	5-6	06-Up	104104	24240221
106F	3-5-Reverse (6L45, 6L50).....	4	07-Up	104106A	N.L.
106F	3-5-Reverse (6L80, 6L90).....	4-5	06-Up	104106	24235681
108F	1-2-3-4 (6L45).....	5	07-Up	TBA	N.L.
108F	1-2-3-4 (6L50).....	5	07-Up	104108A	N.L.
108F	1-2- 3-4 (6L80, 6L90).....	5-6	06-Up	104108	24224147
114D	Low/ Reverse (6L45).....	6	07-Up	TBA	N.L.
114D	Low/ Reverse (6L50).....	6	07-Up	104114A	N.L.
114D	Low/ Reverse (6L80, 6L90).....	5-6	06-Up	104114	24235460
N.I.	Power Pack, 4-5-6 (High Performance) (6L80, 6L90).....	1	06-Up	A104100HPK	N.L.
N.I.	Power Pack, 2-6 (High Performance) (6L80).....	1	06-Up	A104104HPK	N.L.
N.I.	Power Pack, 3-5/ Reverse HP (6L80, 6L90).....	1	06-Up	A104106HPK	N.L.
N.I.	Friction Module (6L80).....	1	06-Up	104119A	N.L.
N.I.	Friction Module (6L90).....	1	07-Up	104119B	N.L.
STEEL PLATES					
120G	4-5-6 (Lindered) (6L80, 6L90).....	6-7	06-Up	104120	24224648
121G	4-5-6 (Waved) (6L45, 6L50).....	1	07-Up	104121A	N.L.
121G	4-5-6 (Waved) (6L80, 6L90).....	1	06-Up	104121	N.L.
124C	2-6 (6L80, 6L90).....	5-6	06-Up	104124	24232497
125C	2-6 (Waved) (6L45, 6L50).....	1	07-Up	104125A	N.L.
125C	2-6 (Waved) (6L80, 6L90).....	1	06-Up	104125	N.L.
126F	3-5-Reverse (6L50).....	4	07-Up	104126A	N.L.
126F	3-5-Reverse (6L80, 6L90).....	4-5	06-Up	104126	24232498
128F	1-2- 3-4 (6L45).....	5	07-Up	TBA	N.L.
128F	1-2- 3-4 (6L50).....	5	07-Up	104128A	N.L.
128F	1-2- 3-4 (6L80, 6L90).....	5-6	06-Up	104128	24232499
129F	1-2- 3-4 (Waved) (6L45, 6L50).....	1	07-Up	104129A	N.L.
129F	1-2- 3-4 (Waved) (6L80, 6L90).....	1	06-Up	104129	N.L.
134D	Low/ Reverse (6L45).....	6	06-Up	TBA	N.L.
134D	Low/ Reverse (6L50).....	6	06-Up	104134A	N.L.
134D	Low/ Reverse (6L80, 6L90).....	5-6	06-Up	104134	24232496
PRESSURE PLATES					
140G	Overdrive (4-5-6) (6L80, 6L90).....	1	06-Up	104140	N.L.
144C	Intermediate (2-6) (6L80, 6L90).....	1	06-Up	104144	N.L.
146F	Direct (3-5/Reverse) (6L80, 6L90).....	1	06-Up	104146	N.L.
148F	Forward (1-2-3-4) (6L80, 6L90).....	1	06-Up	104148	N.L.
154D	Low/ Reverse (6L80, 6L90).....	1	06-Up	104154	N.L.
SEALING RING KITS					
175J	Sealing Ring Kit (6L45, 6L50).....	1	07-Up	104175	N.L.
175J	Sealing Ring Kit (6L80, 6L90) (w/o 08-Up Stator Rings).....	1	06-Up	104175A	N.L.
175J	Sealing Ring Kit, Stator (6L50, 6L80, 6L90) (Non Rotational w/ Expanders).....	1	L08-Up	104175D	24248559
THRUST WASHER KITS					
200	Thrust Washer Kit (6L45, 6L50).....	1	07-Up	104200	N.L.
200	Thrust Washer Kit (6L80, 6L90).....	1	06-Up	104200A	N.L.
BEARING KITS					
201	Bearing Kit (6L45, 6L50).....	1	07-Up	104201	N.L.
201	Bearing Kit (6L80, 6L90).....	1	06-Up	104201A	N.L.
N.I.	Bearing w/ Seal, 3-5/Reverse Drum (Front).....	1	06-Up	104068	24226393
GASKETS & O-RINGS					
300J	Pan Gasket (6L45, 6L50).....	1	07-Up	104300	24225800
300J	Pan Gasket (6L80).....	1	06-Up	104300A	24224781
300J	Pan Gasket (6L90).....	1	07-Up	104300B	24226850
379	Seal, Filler Tube.....	1	06-Up	104371	N.L.
379	Seal, Filter (All).....	1	06-Up	104379	N.L.
TECHNICAL MANUALS					
400J	6L45, 6L50.....	1	07-Up	104400	N.L.
400J	6L80.....	1	06-Up	104400A	GM6L80
400J	Transmission Guide (6 Speed).....	1	06-Up	104400B	TMG-6SPEED

6L45, 6L50, 6L80, 6L90

ILL.		QTY.	YEAR	PART No.	REF. No.
ELECTRICAL COMPONENTS					
410E	Sensor, MLPS (6L45, 6L50).....	1	07-Up	104410	N.L.
410E	Sensor, MLPS (6L80, 6L90).....	1	06-Up	104410A	24258550
420E	Solenoid Assembly (6L45, 6L50).....	1	07-Up	104420	N.L.
420E	Solenoid Assembly (6L80, 6L90).....	1	06-Up	104420A	N.L.
N.I.	Sensor, Input Speed.....	1	07-Up	104436	N.L.
N.I.	Sensor, Output Speed.....	1	07-Up	104436	N.L.
444E	Sleeve, Case Connector (6L80, 6L90).....	1	06-Up	95444	6L2Z7G276AA
PUMPS					
750I	Pump Body w/ Rotor (Bell Housing) (6L45, 6L50) (Cast 24242678).....	1	07-Up	104750	N.L.
750I	Pump Body w/ Rotor (Bell Housing) (6L45, 6L50) (Cast 24226870).....	1	07-Up	104750A	N.L.
750I	Pump Body w/ Rotor (Bell Housing) (6L80) (Cast 24236121).....	1	06-Up	104750B	N.L.
750I	Pump Body w/ Rotor (Bell Housing) (6L80) (Cast 24236119).....	1	06-Up	104750BA	N.L.
750I	Pump Body w/ Rotor (Bell Housing) (6L90) (Cast 24239892).....	1	07-Up	104750C	N.L.
520A	Pump Cover (Stator) (6L45, 6L50).....	1	07-Up	104520	N.L.
520A	Pump Cover (Stator) (6L80) (Rotational Ring Type).....	1	06-Up	104520A	N.L.
520A	Pump Cover (Stator) (6L80, 6L90) (Updated) (Non Rotational Ring Type).....	1	06-Up	104520B	24248573
PUMP COMPONENTS					
N.I.	Rotor Kit (13 Vane, 18mm).....	1	06-Up	104531	N.L.
532A	Rotor (13 Vane, 18mm).....	1	06-Up	104532	N.L.
532A	Rotor Kit, .707" (Incl. Rotor, Slide, Vanes, Spring, Retainer, Rings, Bushing).....	1	06-Up	104532BK	24248570
533A	Vanes.....	13	06-Up	104533	N.L.
N.I.	Vanes (.534" x .714" x .079") (Sonnax).....	N.I.	06-Up	S104533	76742
534A	Slide (13 Vane, 18mm).....	1	06-Up	104534	N.L.
N.I.	Rings.....	2	06-Up	104538	N.L.
N.I.	Guide.....	1	06-Up	104539	N.L.
DRUMS & CLUTCH HUBS					
550B	Overdrive w/ Shaft (4-5-6) (5 Clutch) (6L40, 6L50).....	1	07-Up	104550	N.L.
550B	Overdrive w/ Shaft (4-5-6) (6 Clutch) (6L80).....	1	06-Up	104550A	N.L.
550B	Overdrive w/ Shaft (4-5-6) (7 Clutch) (6L90).....	1	07-Up	104550B	N.L.
554A	Forward & Direct (1-2-3-4 & 3-5/Rev) (6L45, 6L50).....	1	07-Up	104554	N.L.
554A	Forward & Direct (1-2-3-4 & 3-5/Rev) (6L80).....	1	06-Up	104554A	24260892
554A	Forward & Direct (1-2-3-4 & 3-5/Rev) (6L90).....	1	07-Up	104554B	24260894
570G	Hub, Overdrive w/ Shaft (4-5-6) (6L45, 6L50).....	1	07-Up	104570	N.L.
570G	Hub, Overdrive w/ Shaft (4-5-6) (6L80).....	1	06-Up	104570A	N.L.
570G	Hub, Overdrive w/ Shaft (4-5-6) (6L80) (Heavy Duty).....	1	06-Up	104570AHD	N.L.
570G	Hub, Overdrive w/ Shaft (4-5-6) (6L90).....	1	07-Up	104570B	N.L.
570G	Hub, Overdrive w/ Shaft (4-5-6) (6L90) (Heavy Duty).....	1	07-Up	104570BHD	N.L.
574C	Hub, 1-2-3-4 (5 Clutch) (6L45, 6L50).....	1	07-Up	104574	N.L.
574C	Hub, 1-2-3-4 (6 Clutch) (6L80).....	1	06-Up	104574A	N.L.
574C	Hub 1-2-3-4 (6 Clutch) (6L90).....	1	07-Up	104574B	N.L.
575C	Hub, 3-5, Reverse (6L45, 6L50).....	1	07-Up	104575	N.L.
575C	Hub, 3-5, Reverse (6L80).....	1	06-Up	104575A	N.L.
575C	Hub, 3-5, Reverse (6L90).....	1	07-Up	104575B	N.L.
PLANETS					
582B	Front (4 Gear) (20T Pinion Gears) (6L45, 6L50).....	1	07-Up	104582	N.L.
582B	Front (4 Gear) (22T Pinion Gears) (6L80).....	1	06-Up	104582A	N.L.
582B	Front (5 Gear) (22T Pinion Gears) (6L80).....	1	06-Up	104582AA	N.L.
582B	Front (6 Gear) (22T Pinion Gears) (6L90).....	1	07-Up	104582B	N.L.
584D	Rear (Output) (6L45, 6L50).....	1	07-Up	104584	N.L.
584D	Rear (Output) (6L80).....	1	06-Up	104584A	N.L.
584D	Rear (Output) (6L90).....	1	07-Up	104584B	N.L.
N.I.	Ring Gear, Rear (Front) (6L45, 6L50).....	1	07-Up	104594	N.L.
N.I.	Ring Gear, Rear (Front) (6L80).....	1	06-Up	104594A	N.L.
N.I.	Ring Gear, Rear (Front) (6L90).....	1	07-Up	104594B	N.L.
N.I.	Ring Gear, Rear (Rear) (6L45, 6L50).....	1	07-Up	104595	N.L.
N.I.	Ring Gear, Rear (Rear) (6L80).....	1	06-Up	104595A	N.L.
N.I.	Ring Gear, Rear (Rear) (6L90).....	1	07-Up	104595B	N.L.



6L45, 6L50, 6L80, 6L90

ILL.		QTY.	YEAR	PART No.	REF. No.
SUN GEARS					
612B	Sun Gear, Forward (49T) (6L45, 6L50).....	1	07-Up	104612	N.L.
612B	Sun Gear, Forward (50T) (6L80, 6L90).....	1	06-Up	104612A	N.L.
N.I.	Sun Gear, Rear (Output) (Front) (6L45, 6L50).....	1	07-Up	104614	N.L.
N.I.	Sun Gear, Rear (Output) (Front) (6L80, 6L90).....	1	06-Up	104614A	N.L.
N.I.	Sun Gear, Rear (Output) (Rear) (6L45, 6L50).....	1	07-Up	104615	N.L.
N.I.	Sun Gear, Rear (Output) (Rear) (6L80).....	1	06-Up	104615A	N.L.
N.I.	Sun Gear, Rear (Output) (Rear) (6L90).....	1	07-Up	104615B	N.L.
CENTER SUPPORTS					
630H	Center Support (6L45, 6L50).....	1	07-Up	104630	N.L.
630H	Center Support (6L80).....	1	06-Up	104630A	N.L.
630H	Center Support (6L90).....	1	07-Up	104630B	N.L.
ONE WAY CLUTCHES					
642H	Sprag Assembly, Low/ Reverse (30 Element) (6L45, 6L50).....	1	07-Up	104642	24240431
642H	Sprag Assembly, Low/ Reverse (38 Element) (6L80).....	1	06-Up	104642A	24240618
642H	Sprag Assembly, Low/ Reverse (30 Element) (6L90).....	1	07-Up	104642B	24240619
SHAFTS					
673B	Turbine Shaft (included w/ Overdrive Drum).....	1	06-Up	N/A	N.L.
678I	Output Shaft (2wd) (6L45, 6L50).....	1	07-Up	104678	N.L.
678I	Output Shaft (2wd) (6L80) (15.125" Long).....	1	06-Up	104678A	N.L.
678I	Output Shaft (2wd) (6L80) (11.250" Long).....	1	06-Up	104678AA	N.L.
678I	Output Shaft (2wd) (6L80) (8 5/16" Long).....	1	06-Up	104678AB	N.L.
678I	Output Shaft (6L90) (4wd).....	1	07-Up	104678B	N.L.
VALVE BODIES					
740J	Valve Body (6L45, 6L50).....	1	07-Up	104740	N.L.
740J	Valve Body (6L80).....	1	06-Up	104740A	N.L.
740J	Valve Body (6L90).....	1	07-Up	104740B	N.L.
741J	Valve Assembly, Press Regulator (6L80) (Transgo®).....	1	07-Up	T104741PK	6L8-VL-PR3
CASES & HOUSINGS					
750I	Pump Body w/ Rotor (Bell Housing) (6L45, 6L50) (Cast 24242678).....	1	07-Up	104750	N.L.
750I	Pump Body w/ Rotor (Bell Housing) (6L45, 6L50) (Cast 24226870).....	1	07-Up	104750A	N.L.
750I	Pump Body w/ Rotor (Bell Housing) (6L80) (Cast 24236121).....	1	06-Up	104750B	24248031
750I	Pump Body w/ Rotor (Bell Housing) (6L80) (Cast 24236119).....	1	06-Up	104750BA	N.L.
750I	Pump Body w/ Rotor (Bell Housing) (6L90) (Cast 24239892).....	1	07-Up	104750C	N.L.
760I	Case (6L45, 6L50).....	1	07-Up	104760	N.L.
760I	Case (6L80) (2wd).....	1	06-Up	104760A	N.L.
760I	Case (6L90).....	1	07-Up	104760B	N.L.
765J	Pan (6L45, 6L50).....	1	07-Up	104765	N.L.
765J	Pan (6L80).....	1	06-Up	104765A	N.L.
765J	Pan (6L90).....	1	07-Up	104765B	N.L.
N.I.	Extension Housing (6L80) (2wd).....	1	06-Up	104770A	N.L.
N.I.	Extension Housing (6L80) (4wd).....	1	06-Up	104770	N.L.
DAMPENERS					
850G	Dampener, Overdrive (4-5-6) (6L45, 6L50).....	1	07-Up	104850	N.L.
850G	Dampener, Overdrive (4-5-6) (6L80).....	1	06-Up	104850A	N.L.
850G	Dampener, Overdrive (4-5-6) (6L90).....	1	07-Up	104850B	N.L.
MISCELLANEOUS COMPONENTS					
960B	Piston, 4-5-6 Clutch (Bonded) (6L45, 6L50).....	1	07-Up	104960	24225523
960B	Piston, 4-5-6 Clutch (Bonded) (6L80, 6L90).....	1	06-Up	104960A	24232416
962H	Piston, 2-6 Clutch (Bonded) (6L45, 6L50).....	1	07-Up	104962	24225524
962H	Piston, 2-6 Clutch (Bonded) (6L80, 6L90).....	1	06-Up	104962A	24224169
967H	Piston, Low Reverse Clutch (Bonded) (6L45, 6L50).....	1	07-Up	104967	24225525
967H	Piston, Low Reverse Clutch (Bonded) (6L80, 6L90).....	1	06-Up	104967A	24224172
970B	Belleville Spring, 4-5-6 Clutch (6L45, 6L50).....	1	07-Up	104970	N.L.
970B	Belleville Spring, 4-5-6 Clutch (6L80, 6L90).....	1	06-Up	104970A	N.L.
972H	Belleville Spring, 2-6 Clutch (6L45, 6L50).....	1	07-Up	104972	N.L.
972H	Belleville Spring, 2-6 Clutch (6L80, 6L90).....	1	06-Up	104972A	N.L.
974A	Belleville Spring, 1-2-3-4 Clutch (6L45, 6L50).....	1	07-Up	104974	N.L.
974A	Belleville Spring, 1-2-3-4 Clutch (6L80, 6L90).....	1	06-Up	104974A	N.L.
975A	Belleville Spring, 3-5-Reverse Clutch (6L45, 6L50).....	1	07-Up	104975	N.L.
975A	Belleville Spring, 3-5-Reverse Clutch (6L80, 6L90).....	1	06-Up	104975A	N.L.



6L45, 6L50, 6L80, 6L90

ILL.	QTY.	YEAR	PART No.	REF. No.
MISCELLANEOUS COMPONENTS (Cont.)				
977H	1	07-Up	104977	N.L.
977H	1	06-Up	104977A	N.L.
980B	1	07-Up	104980	24225526
980B	1	06-Up	104980A	24232417
984F	1	07-Up	104984	24225522
984F	1	06-Up	104984A	24224708
985A	1	06-Up	104985A	24238700
994	1	07-Up	104994D	24242088

TOOLS				
N.I.	1	06-Up	T-3062	N.L.
N.I.	1	06-Up	T-46664	N.L.
N.I.	1	06-Up	T-2075	N.L.
N.I.	1	06-Up	T-6800	N.L.

VOL.	SONNAX PRODUCTS	PAGE	ILL.	PART NO.	SONNAX NO.
Vol 9	Valve Kit, Boost.....	N.I.	3	S104507F-1K	104520-01K
Vol 9	Valve Kit, Press Regulator (Also Incl. Drill Bit, Cup Plug, Self Threading Screw)....	N.I.	4	S104507P-1K	104520-03K
Vol 9	Valve Kit, Pressure Regulator OS (Also Incl. Drill Bit, Cup Plug, Self Threading..... Screw) (T-VB-Fix, T-F-104520-TL7C Req)	N.I.	5	S104507PK	104520-07K
Vol 9	Vane, Pump (.534" x .714" x .079").....	N.I.	N.I.	S104533	76742
Vol 9	End Plug Kit (6 Plugs, 9 O-Rings).....	N.I.	9	S104741-6K	104740-23K
Vol 9	Valve Kit, Compensator Feed Regulator.....	N.I.	6	S104741LK	104740-09K
Vol 9	Spring Kit, Clutch Select Valve	N.I.	10	S104741S-3K	104740-02K
Vol 9	Valve Assembly, Boost.....	N.I.	N.I.	S104507F	6L80-LB1
Vol 9	Valve Assembly, Press Reg Boost O.S. (VB-FIX, T-VB-06, T-F104520-TL12 req) ..	N.I.	7	S104741PK	104740-12
Vol 9	Valve Assembly, TC Feed Limit O.S. (T-VB-FIX, T-F104520-TL11C req).....	N.I.	2	S104507C-1	104520-11
Vol 9	Valve Assembly, 1-4, 3-5/Rev, 4-6 Boost O.S. (T-VB-FIX, T-F104740-TL req).....	N.I.	8	S104741R-1	104740-01
Vol 9	Valve Assembly, TCC Regulator O.S. (T-VB-FIX, T-F104740-TL7 req).....	N.I.	1	S104741Q-1K	104740-07K
Vol 9	Zip Kit.....	N.I.	N.I.	S104741ZK	6L45-6L90-ZIP

Notes

GM