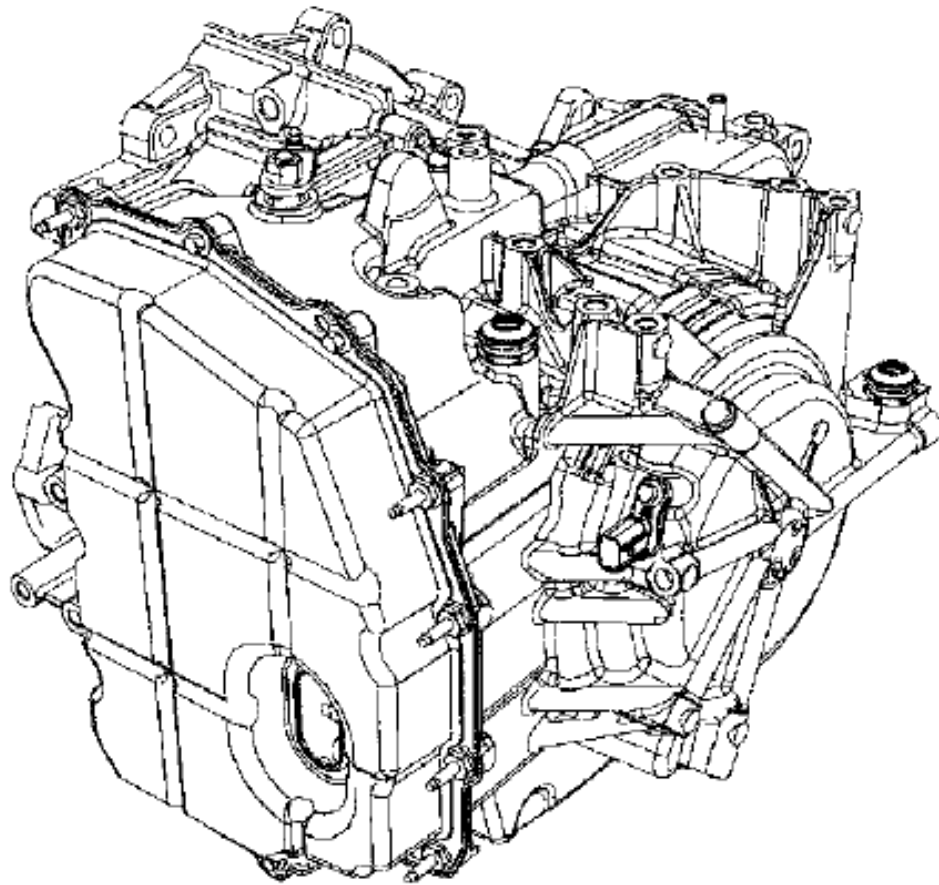


6F35



Line Pressure Chart

Gear Ratio	
1	3.500
2	1.944
3	1.258
4	0.947
5	0.809
REV	3.374
FINAL	4.133

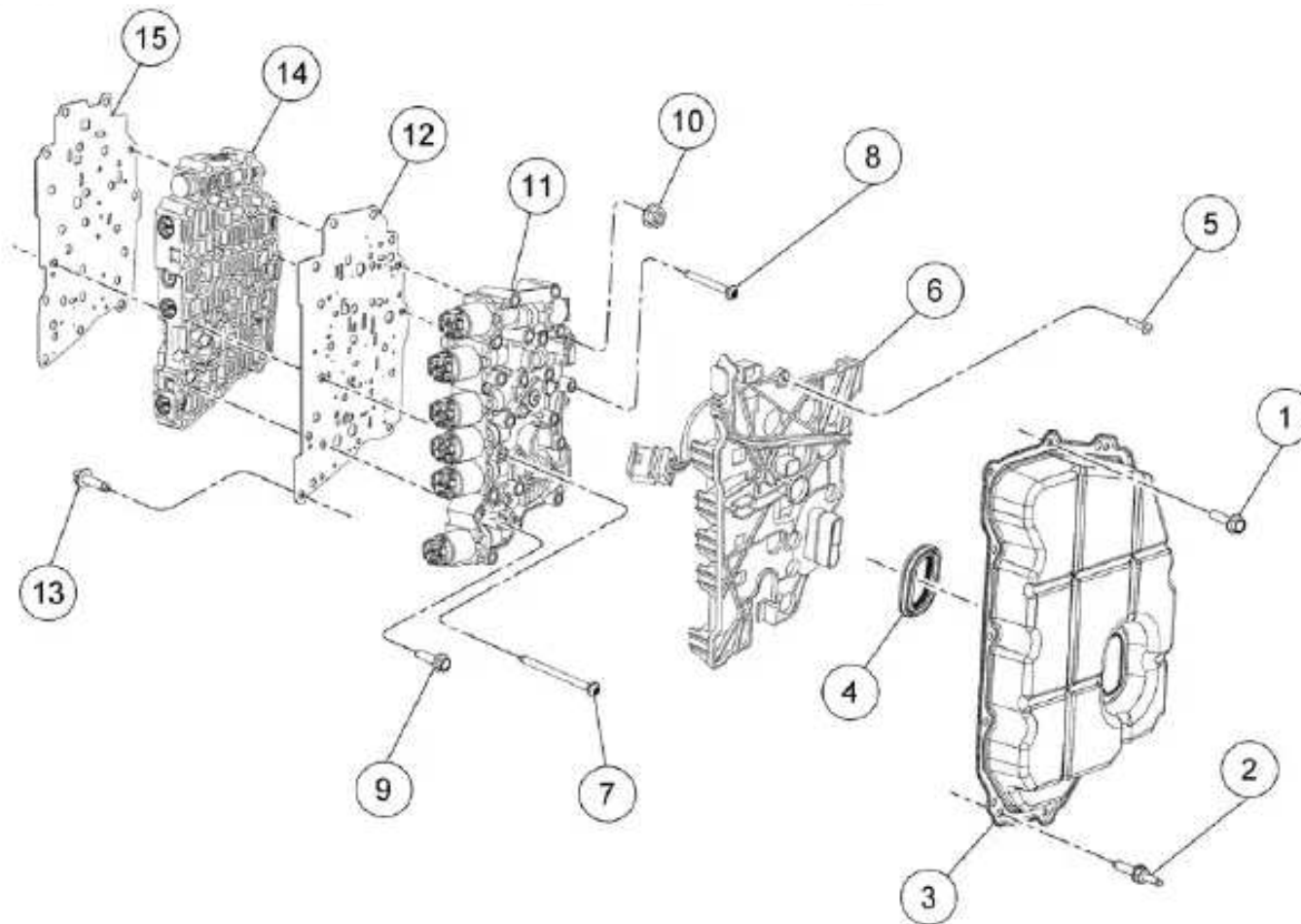
Gear	Line
Pressures at Idle	
P	338-379 kPa (49-55 psi)
R N	621-689 kPa (90-100 psi) 338-379 kPa (49-55 psi)
D	338-379 kPa (49-55 psi)
L	338-379 kPa (49-55 psi)
Pressure at Wide Open Throttle (WOT) Stall	
P	338-379 kPa (49-55 psi)
R	1,868-2,068 kPa (271-300 psi)
N	338-379 kPa (49-55 psi)
D	1,868-2,068 kPa (271-300 psi)
L	1,868-2,068 kPa (271-300 psi)

Stall Speed Chart

Selector Lever	Engine	rpm
Drive	2.5	2,200 - 2,300
Reverse	2.5	2,550 - 2,650
Drive	3.0	2,400 - 2,500
Reverse	3.0	2,600 - 2,700



A Division of Freudenberg-NOK



Item Description of Solenoid Body Assembly

1	Bolt - Main control cover - 8 required	9	Solenoid body-to-valve body bolt - 2 required
2	Studbolt - main control cover - 5 required	10	Main control nut
3	Cover - main control	11	Solenoid body assembly
4	Main control-to-main control cover grommet	12	Main control valve body-to-solenoid body separator plate
5	Main control solenoid body leadframe screw	13	Separator plate-to-solenoid body bolt - 2 required
6	Main control solenoid body leadframe	14	Main control valve body
7	Main control-to-transaxle case bolt (long) - 10 required	15	Main control-to-transaxle case separator plate
8	Main control-to-transaxle case bolt (short) - 10 required		

Solenoid Operation Chart

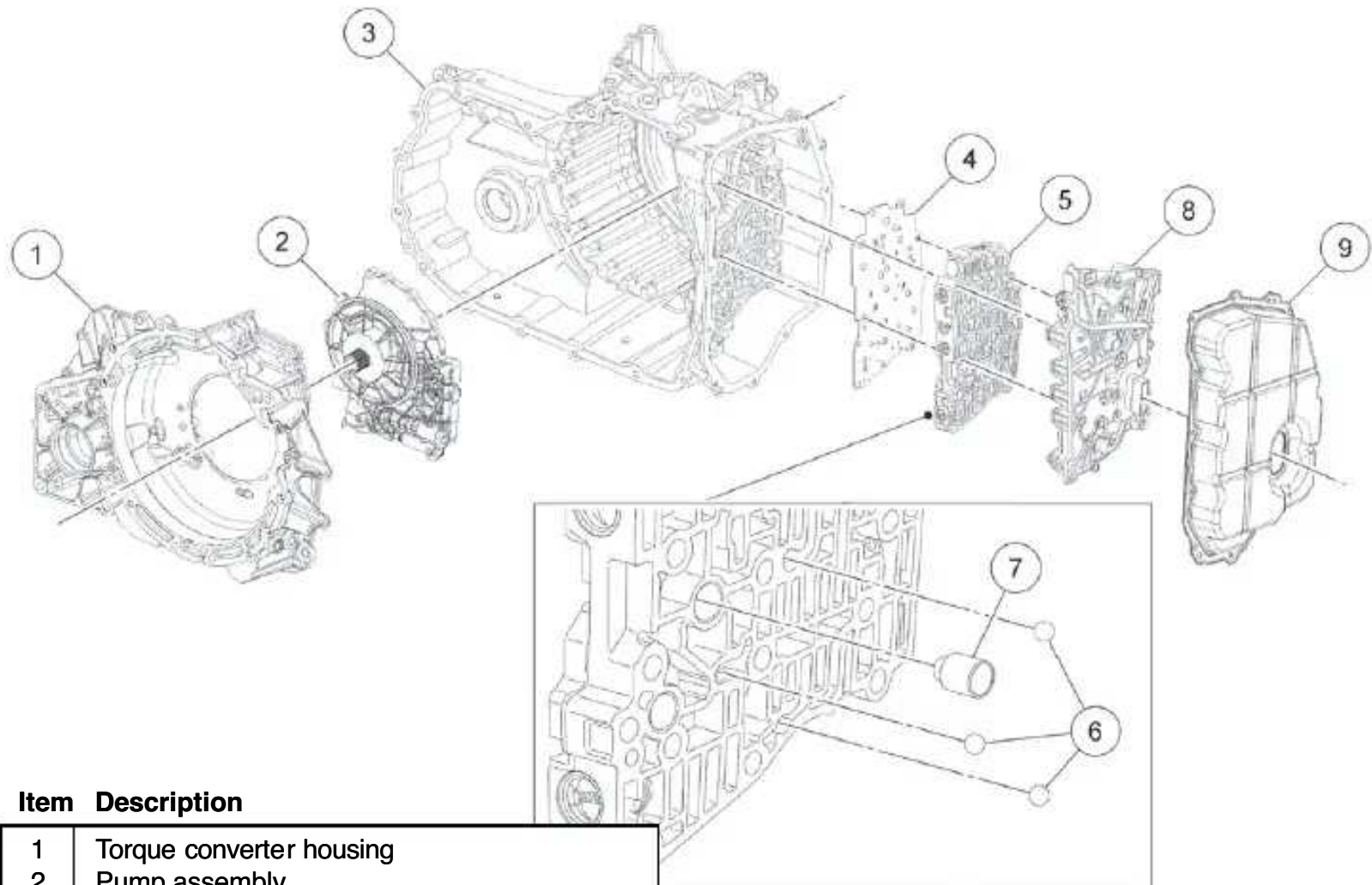
Base Selector Lever Position	PCM Commanded Gear	Shift Solenoid					TCC (VFS) NL
		SSA (VFS) NL (CB 1,2,3,4)	SSB (VFS) NH (3,5,R)	SSC (VFS) NL (CB 2,6)	SSD (VFS) NH (CB L,R/C 4,5,6)	SSE (On/Off) NC	
P	P	Off	On	Off	On	On	Off
R	R	Off	Off	Off	Off	On	Off
N	N	Off	On	Off	On*	On*	Off
D	1	On	On	Off	On	On	Off
	2	On	On	On	On	Off	Off
	3	On	Off	Off	On	Off	Off
	4	On	On	Off	Off	Off	On/Off
	5	Off	Off	Off	Off	Off	On/Off
	6	Off	On	On	Off	Off	On/Off
L	L	On	On	Off	Off	On	Off

CB = Clutch Brake

NC = Normally Closed

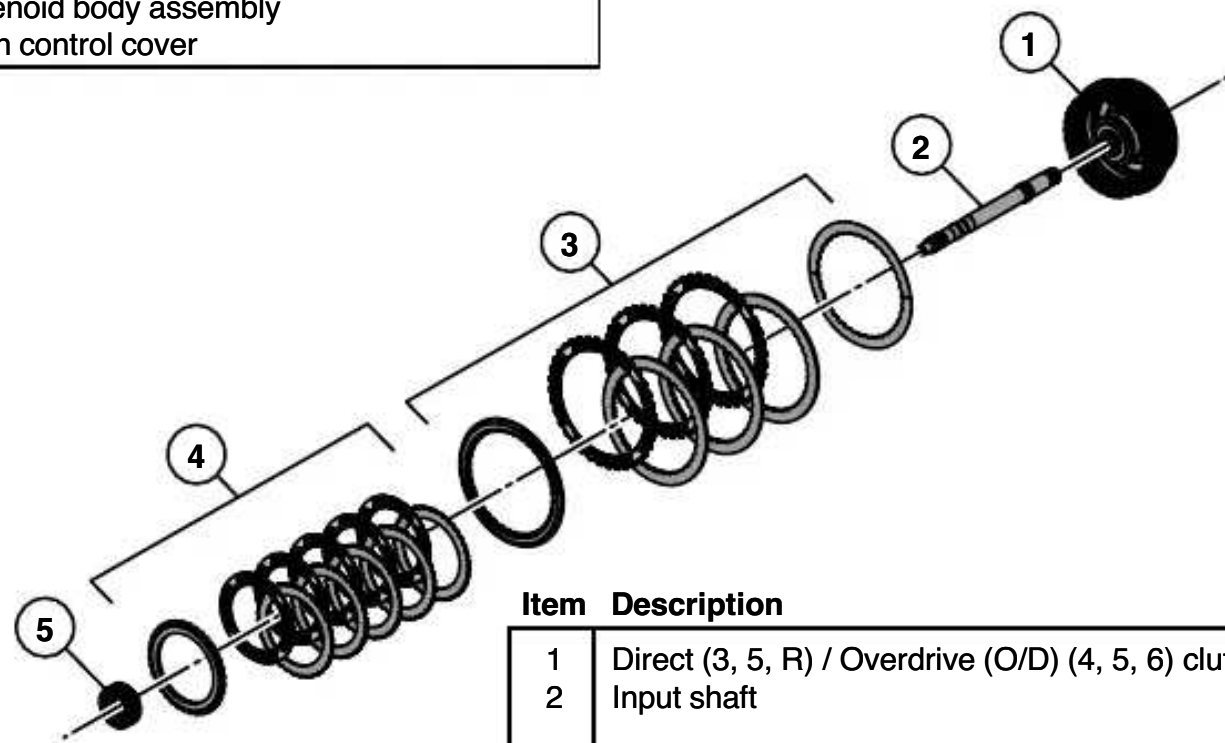
NH = Normally High

NL = Normally Low



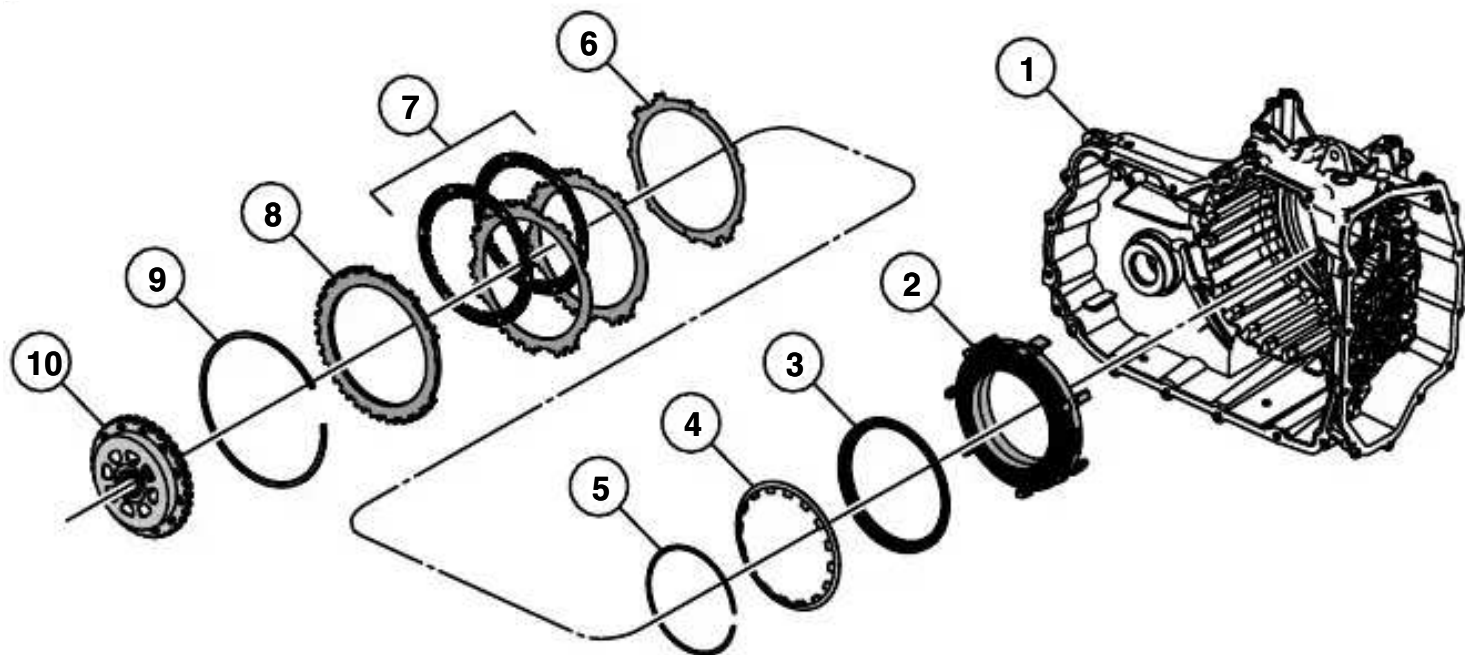
Item Description

1	Torque converter housing
2	Pump assembly
3	Transaxle case
4	Main control-to-transaxle case separator plate
5	Valve body
6	Check balls
7	Solenoid damper (Shift Solenoid A (SSA))
8	Solenoid body assembly
9	Main control cover



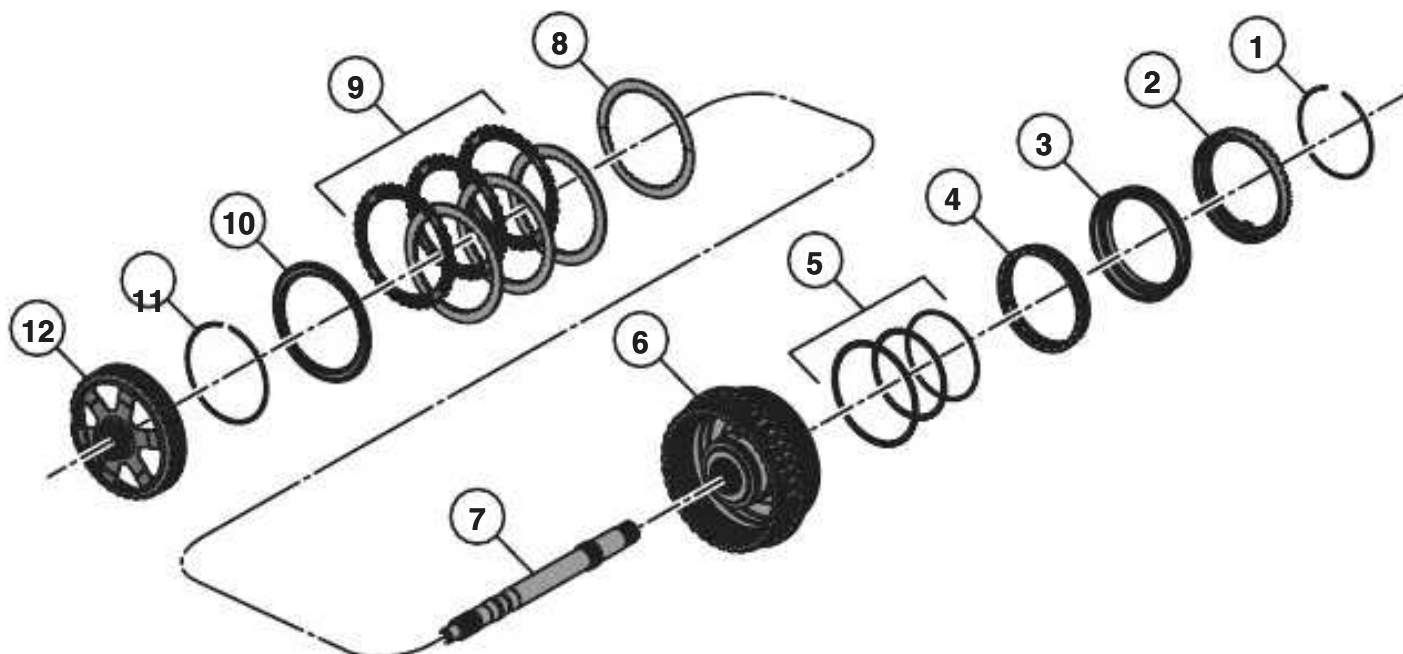
Item Description

1	Direct (3, 5, R) / Overdrive (O/D) (4, 5, 6) clutch hub
2	Input shaft
3	Direct (3, 5, R) clutch
4	O/D (4, 5, 6) clutch
5	Center planetary sun gear



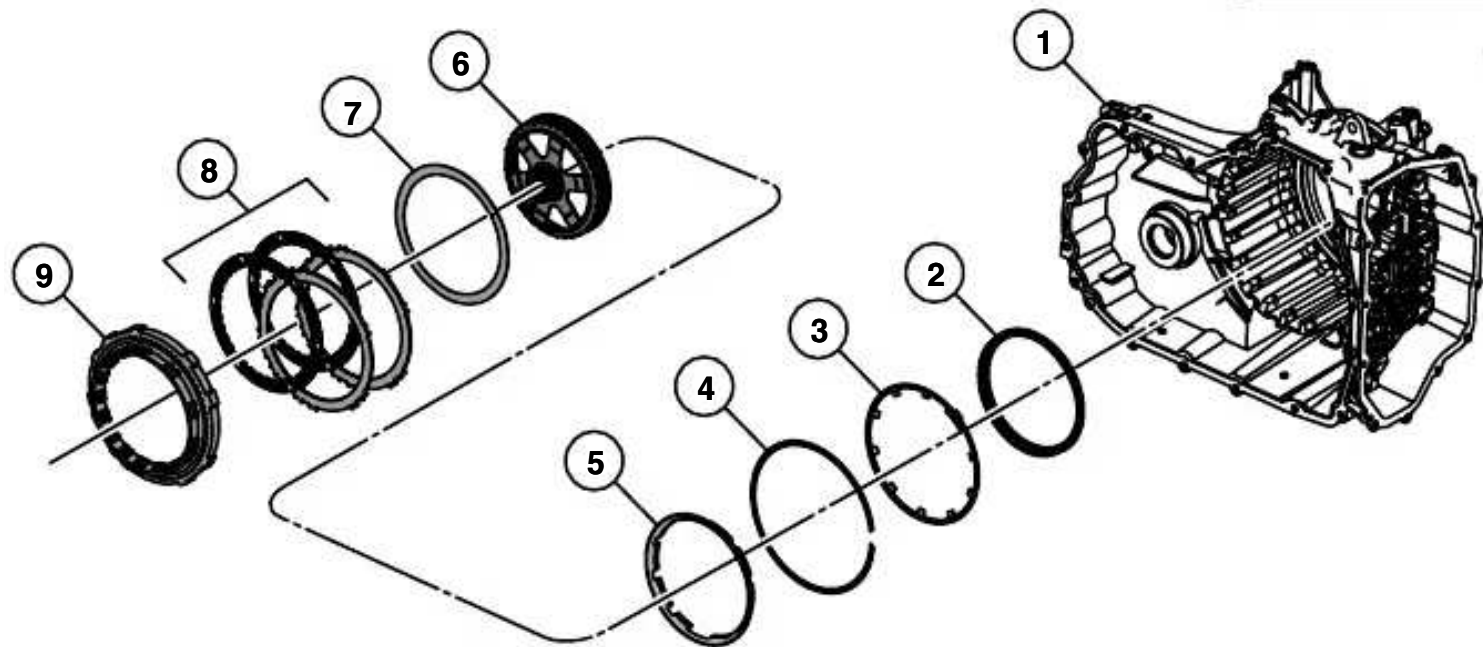
Item Description

1	Transaxle case	6	Forward clutch wave spring
2	Center support	7	Forward (1, 2, 3, 4) clutch
3	Forward clutch piston	8	Forward clutch pressure plate
4	Forward clutch piston return spring	9	Forward clutch snap ring
5	Forward clutch piston return spring snap ring	10	Front sun gear and shell assembly



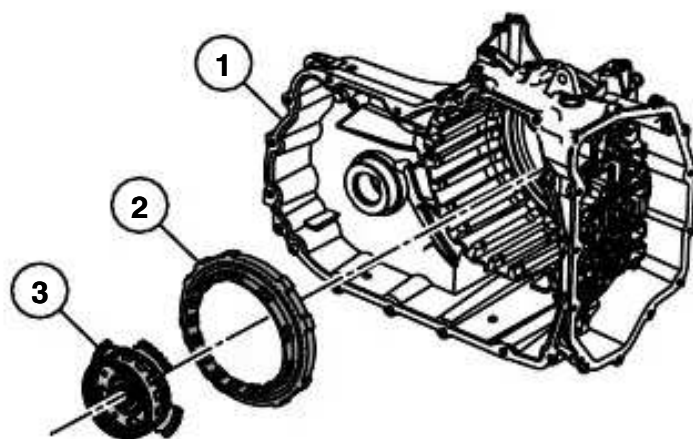
Item Description of 3 5 R Clutch

1	Direct clutch cylinder snap ring	7	Input Shaft
2	Direct clutch cylinder	8	Direct clutch wave spring
3	Direct clutch piston	9	Direct (3, 5, R) clutch assembly
4	Direct clutch piston return spring	10	Direct clutch pressure plate
5	Direct clutch piston seals	11	Direct clutch snap ring
6	Direct/Overdrive (O/D) clutch hub	12	Rear planetary sun gear and shell assembly



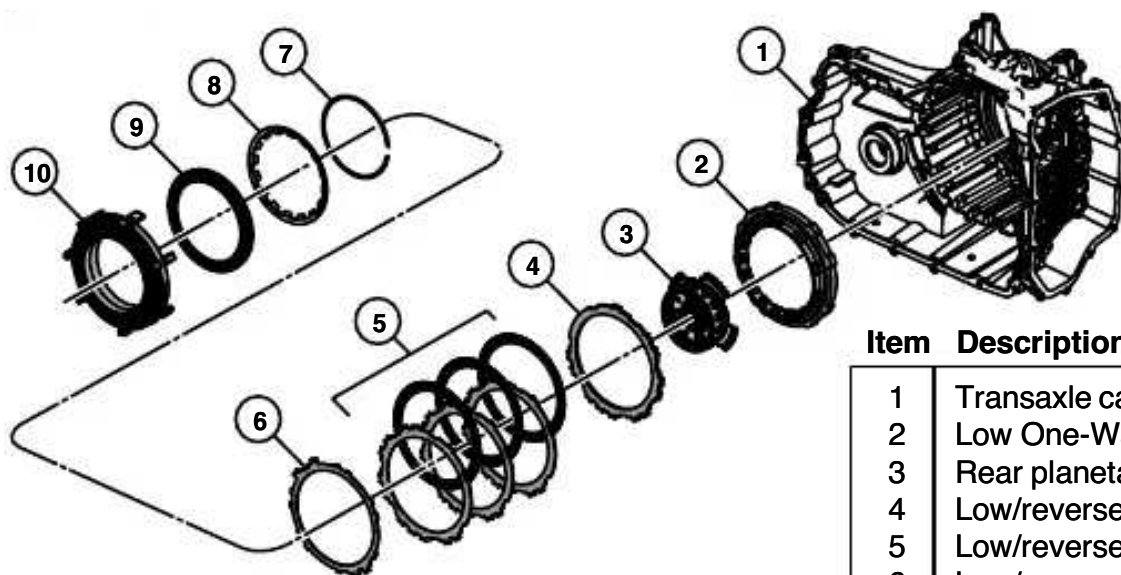
Item Description of Int 2 6 Clutch

1	Transaxle case	6	Rear planetary sun gear and shell assembly
2	Intermediate clutch piston	7	Intermediate clutch wave spring
3	Intermediate clutch piston return spring	8	Intermediate clutch assembly
4	Intermediate clutch piston return spring snap ring	9	Low/One-Way Clutch (OWC)
5	Intermediate clutch apply ring		



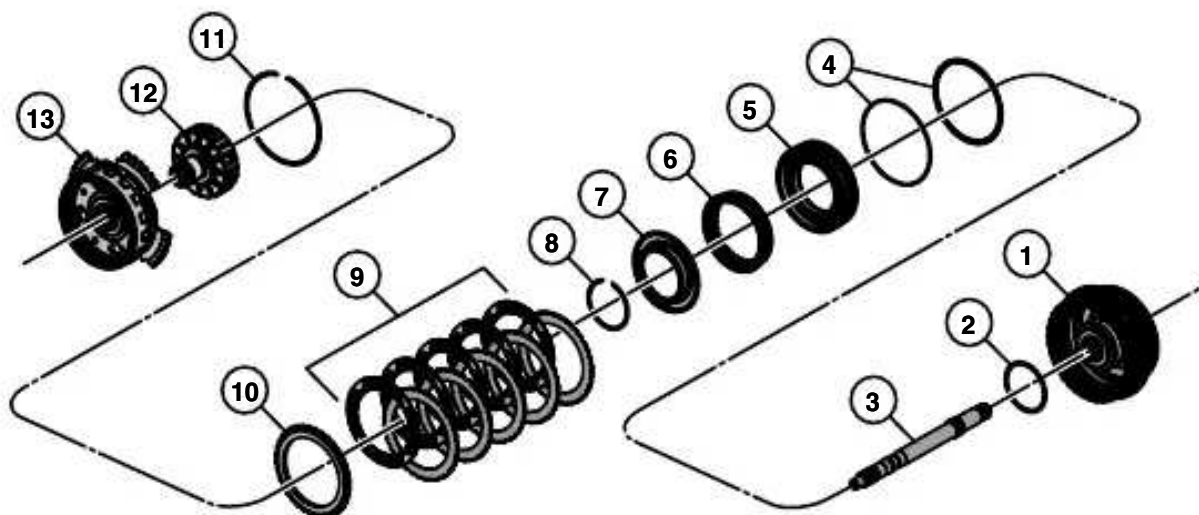
Item Description of Low One-Way Clutch

1	Transaxle case
2	Low One-Way Clutch (OWC)
3	Rear planetary carrier



Item Description of Low Reverse

1	Transaxle case
2	Low One-Way Clutch (OWC)
3	Rear planetary carrier
4	Low/reverse clutch pressure plate
5	Low/reverse clutch
6	Low/reverse clutch wave spring
7	Low/reverse clutch piston return spring snap ring
8	Low/reverse clutch piston return spring
9	Low/reverse clutch piston
10	Center support

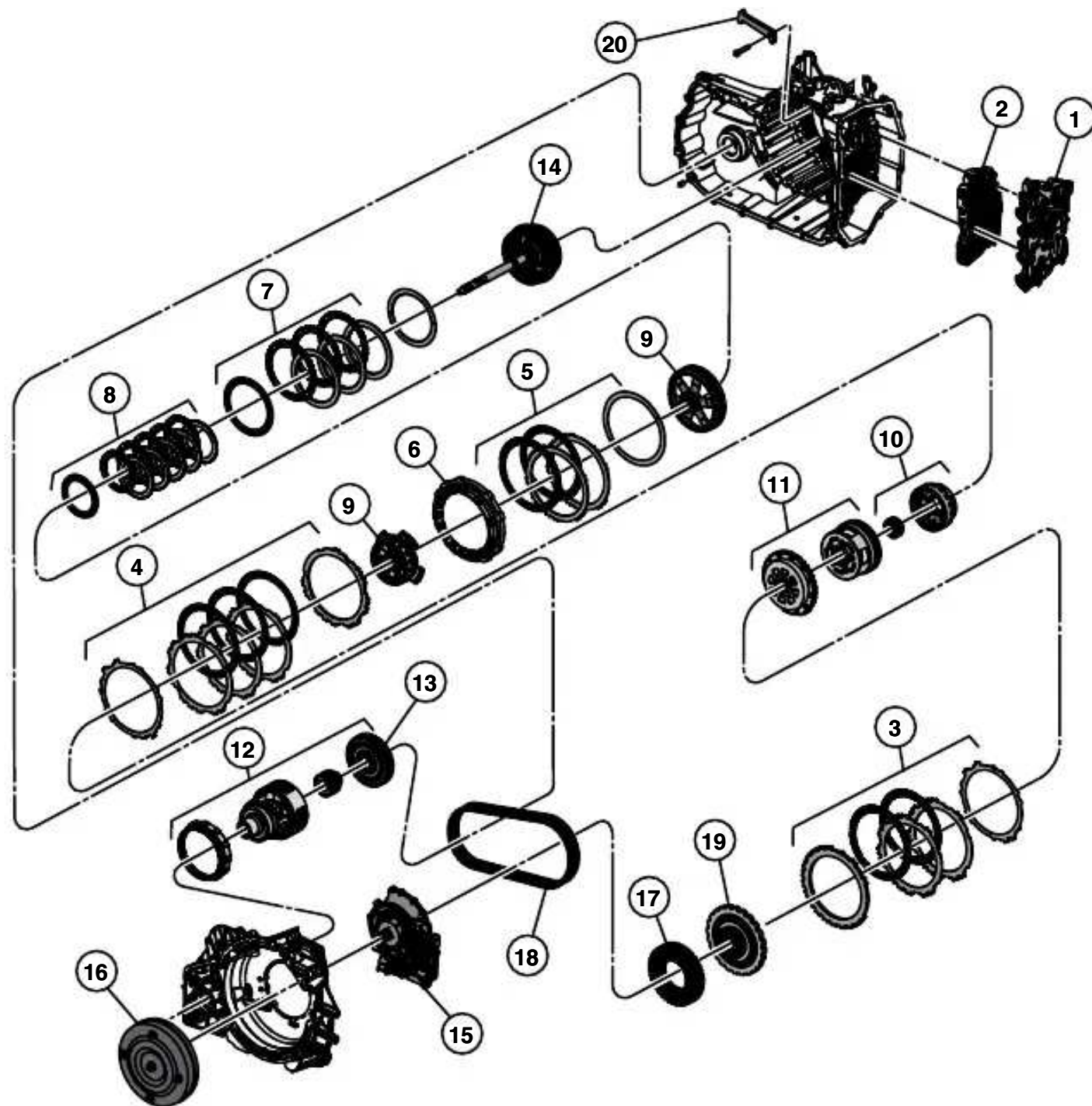


Item Description of O/D 4, 5, 6

1	Direct/Overdrive (O/D) clutch hub assembly	8	O/D clutch balance piston snap ring
2	O/D clutch piston inner seal	9	O/D (4, 5, 6) clutch assembly
3	Input shaft	10	O/D clutch pressure plate
4	O/D clutch piston outer seals	11	O/D clutch snap ring
5	O/D clutch piston	12	O/D clutch hub
6	O/D clutch piston return spring	13	Rear planetary carrier
7	O/D clutch balance piston		

Clutch Application Chart

Gear	Direct (C 3,5,R)	Overdrive (C 4,5,6)	Forward (CB 1,2,3,4)	Low/Reverse (CB L,R)	Inter-mediate (CB 2,6)	One-Way
1st			X	X*		X
2nd			X		X	O/R
3rd	X		X			O/R
4th		X	X			O/R
5th	X	X				O/R
6th		X			X	O/R
Reverse	X			X		



Item Description of Components

1	Solenoid body	11	Front planetary assembly
2	Valve body	12	Final drive carrier and differential assembly
3	Forward clutch (clutch brake 1, 2, 3, 4)	13	Drive chain driven sprocket
4	Low/reverse clutch (clutch brake low/reverse)	14	Input shaft assembly and direct/overdrive clutch hub
5	Intermediate clutch (clutch brake 2, 6)	15	Pump assembly
6	Low One-Way Clutch (OWC)	16	Torque converter
7	Direct clutch (drive clutch 3, 5, R)	17	Drive chain drive sprocket
8	Overdrive (O/D) clutch (drive clutch 4, 5, 6)	18	Drive chain
9	Rear planetary assembly	19	Park gear
10	Center planetary assembly	20	Park pawl

TRANstec®



A Division of Freudenberg-NOK

11617 State Route 13 • Milan, Ohio 44846 • T: 419-499-2502 • F: 419-499-2804 • www.TransTec.com

© 2010 Freudenberg-NOK